

Specifications and Accessories

# RESIDENTIAL ROLLING SHUTTER CATALOG

Profiles

Guides

Shaft

Shaft cover box

ISSUED 03/11/20

2020



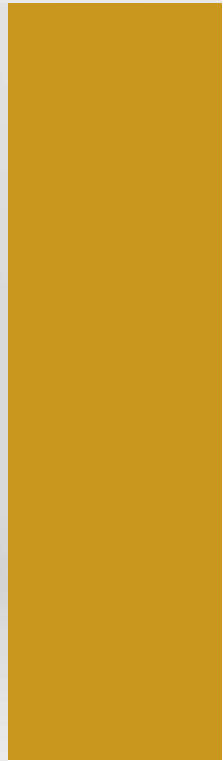
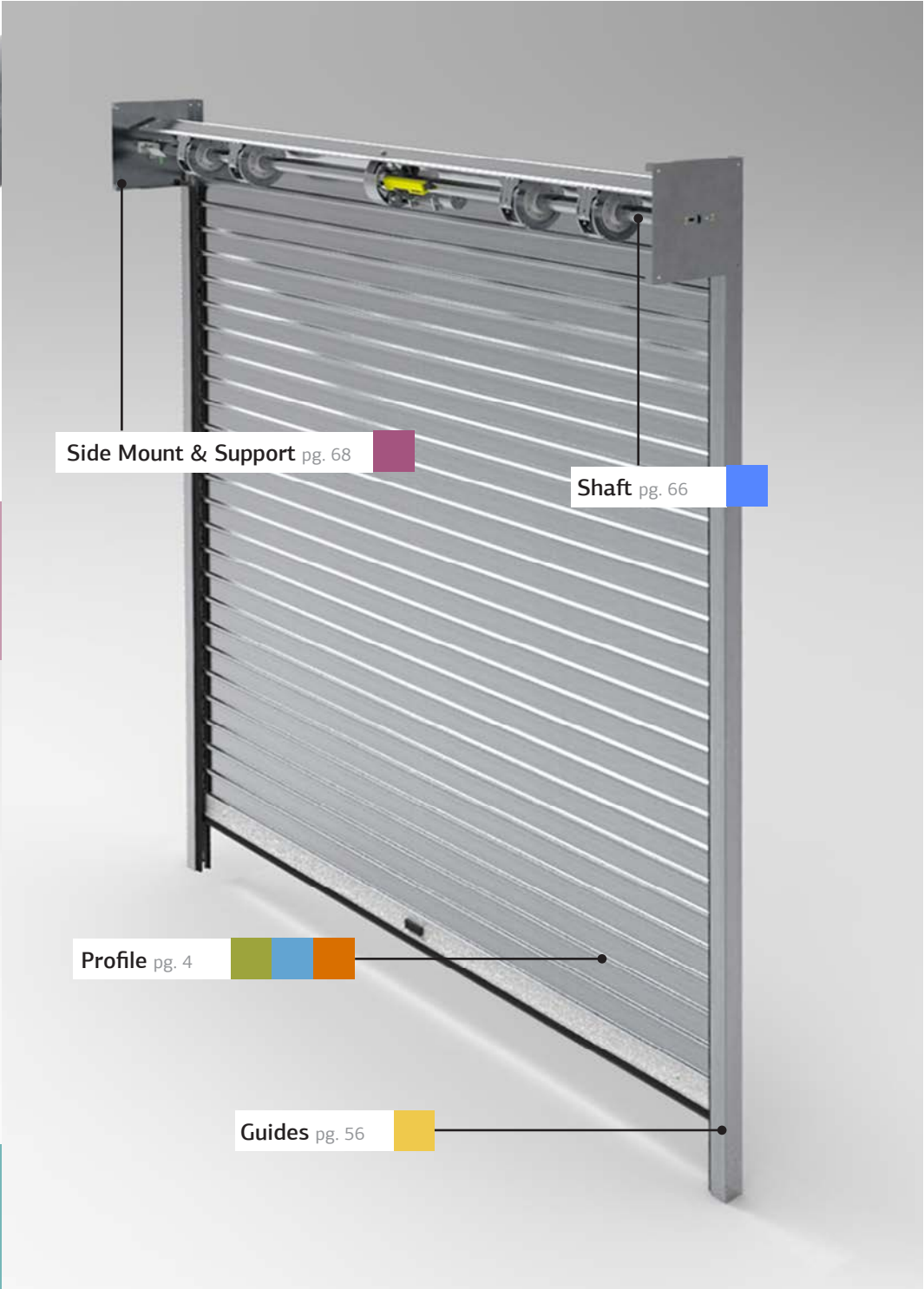
+30 23510 41860

info@biorol.gr

www.biorol.com

 **BIOROL** S.A.

EN

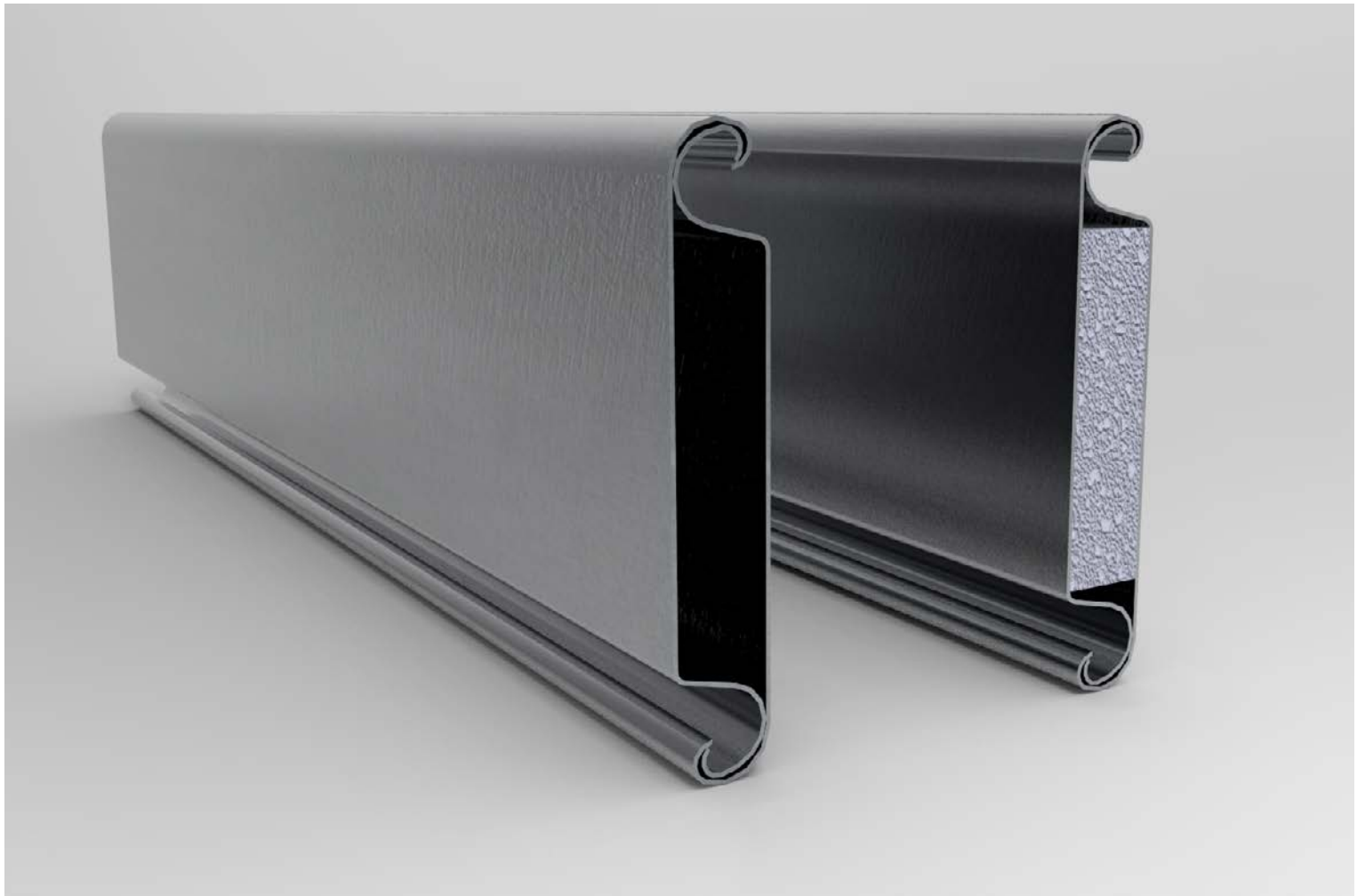




# **DOUBLE PROFILE STEEL - DB**

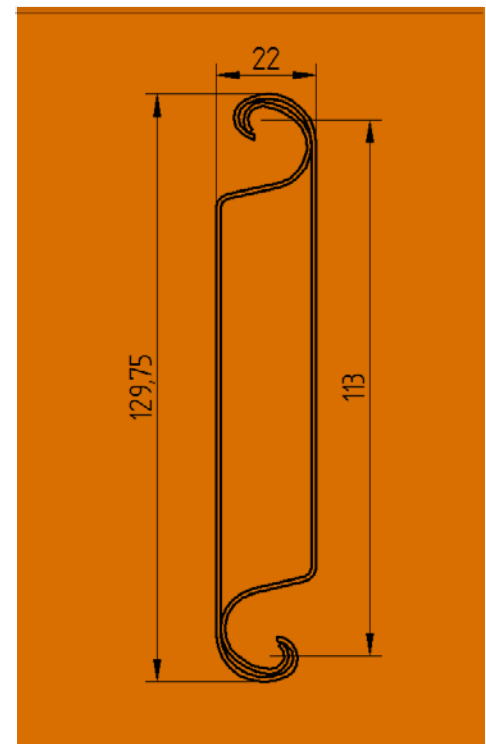
- Double Steel sheet profiles, hot galvanized.
- Galvanized steel
- Wide range of RAL colors





## Double Walled Steel - DB - Specifications

Profile	Blind
Height/ Step - mm	129,7/113
Pcs /m	8,5
Thickness - mm	0,8/1,0
Weight kg/m	2,3/2,88
Maximum Production Length - Galvanized	12m
Maximum Production Length - Powder Coated <sup>1</sup>	9m
Min. Shaft Diameter	Ø159
Windload (max)	W:7000 x 456kg Class 3
Safe Operation	✓
Operating Forces	✓



Maximum rolling shutter height: 10,000 mm. For rolling shutters higher than 10,000 mm, please contact us.

<sup>1</sup> Color palette available upon request

Certification according to:  
EN 13241-1:2003+A2:2016



## ACCESSORIES

### Plastic Slide blocker for DB profile

Weight: 0,033 kg/pc

---

Art. Code: TL120D



### Cover for Strut "V"

Peso: 0,016 kg/pc

---

Art. Code: PC105



### Suspension Clip

Suspension clip for winding shaft.

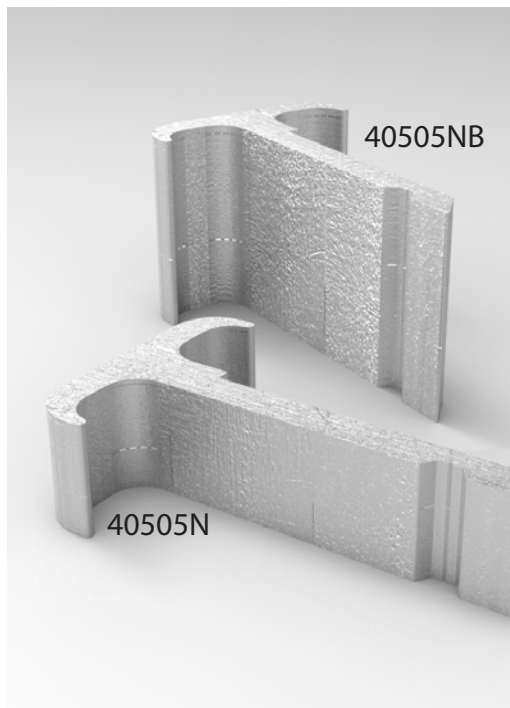
Weight: 0,113 kg/pc

---

Art. Code: SC







## Aluminum Hooks

**Art.: 40505N**

26mm for the double profiles  
Weight: 0,08kg/pc

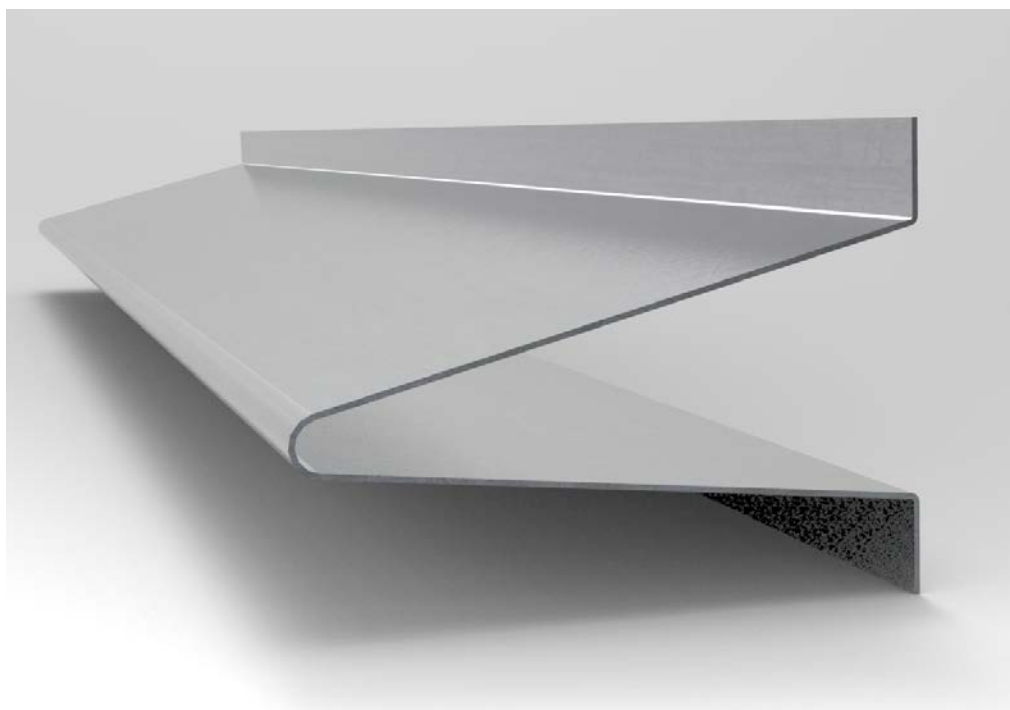
**Art.: 40505NB**

55m for the bottom  
aluminum profile  
Weight: 0,17kg/pc

## Plastic Slide for Alu hook 40505

**Art. Code:** PSH

**Inv.:** 24.800.13.00139



## Metal Strut "V"

Metal strut from galvanized  
steel.

Height: 105mm

Dimensions: 105x105x1mm

Weight: 2kg/m

**Art. Code:** V105



## Bottom Profile

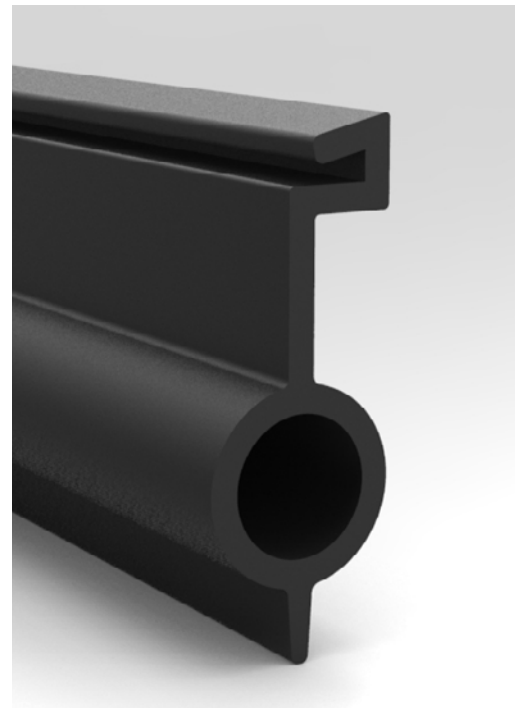
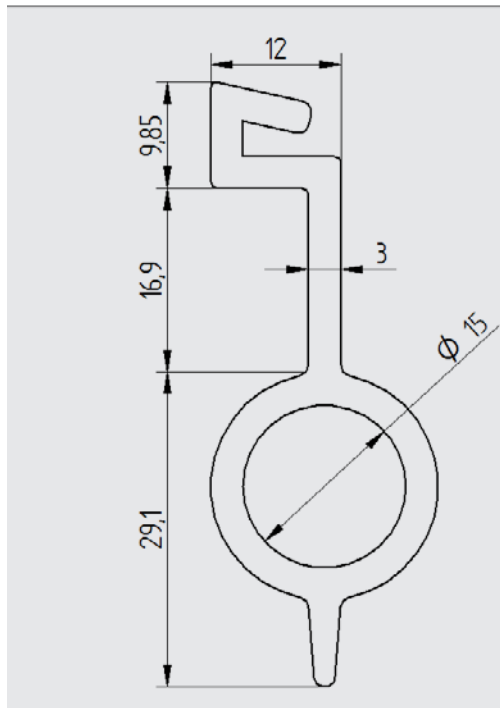
Peso: 1,7 kg/m

**Art. Code:** BB40G

## End Rubber

Weight: 0,5 kg/m

Art. Code: G0011



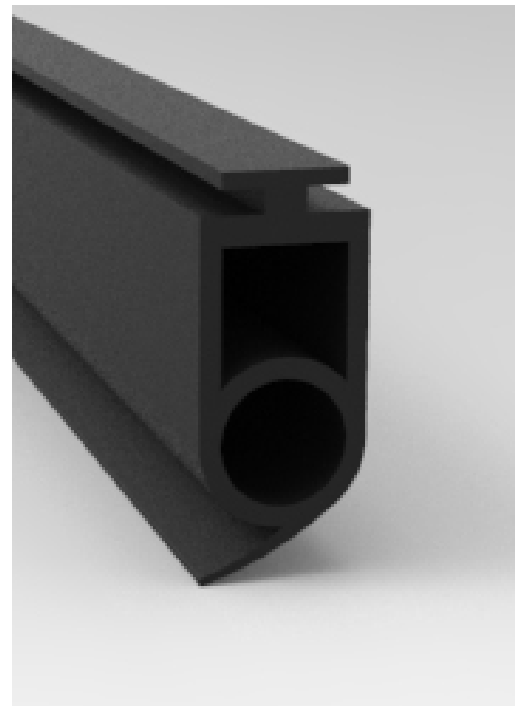
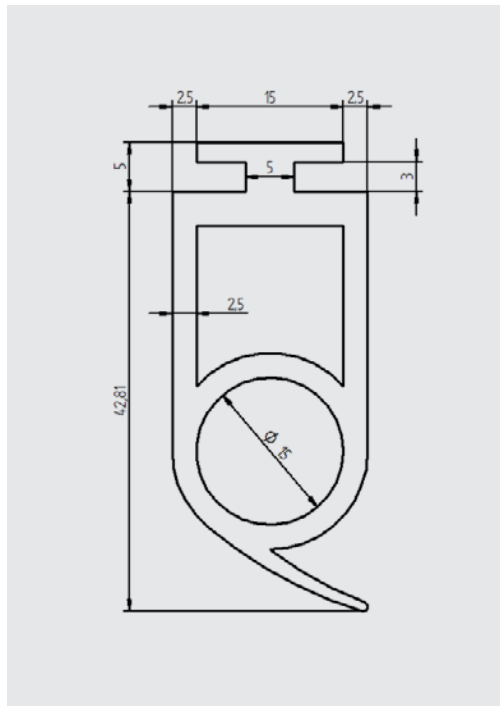
## End Rubber for optosensor

Bottom rubber for optosensor.

Weight: 0,40kg/m

Art. Code: TR400

Inv.: 24.800.13.00184



## Tube for Bottom Profile

Dimensions: 30x20x1,5mm

Weight: 1,2 kg/m

Art. Code: BB3020









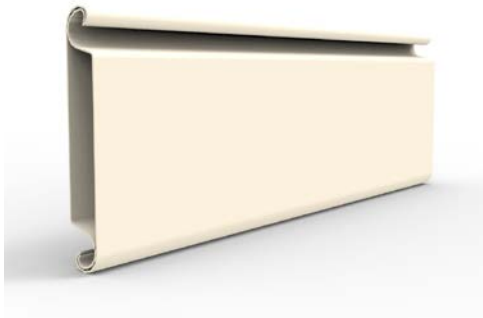
## Color Palette

Wide range of powder coating colours (AKZO NOBEL) with excellent resistance to outdoor conditions and excellent colour retention that meets the requirements of all major European architectural standards BS EN 12206:2004 PART I, QUALICOAT CLASS I and GSB.

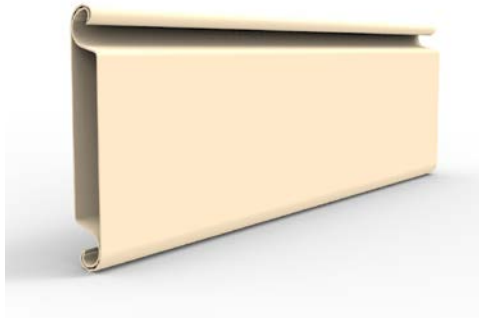
\*Color palette is for reference only. Actual colors may differ.

\*\* More colors available on request.

**RAL-1013**



**RAL-1015**



**RAL-1021**



**RAL-2004**



**RAL-3000**



**RAL-3004**



**RAL-5002**



**RAL-5010**



**RAL-5012**



**RAL-6001**



**RAL-6005**



**RAL-6009**



**RAL-7001**



**RAL-7011**



**RAL-7015**



**RAL-7035**



**RAL-7038**



**RAL-8003**



**RAL-8014**



**RAL-8017**



**RAL-8024**



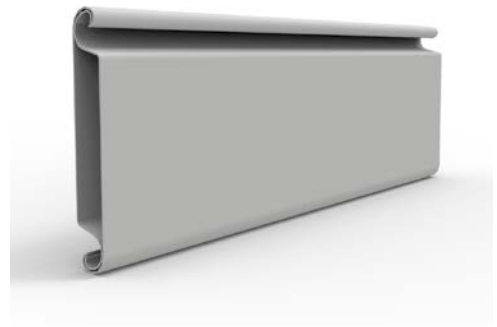
**RAL-9002**



**RAL-9005**



**RAL-9006**



**RAL-9007**



**RAL-9016**



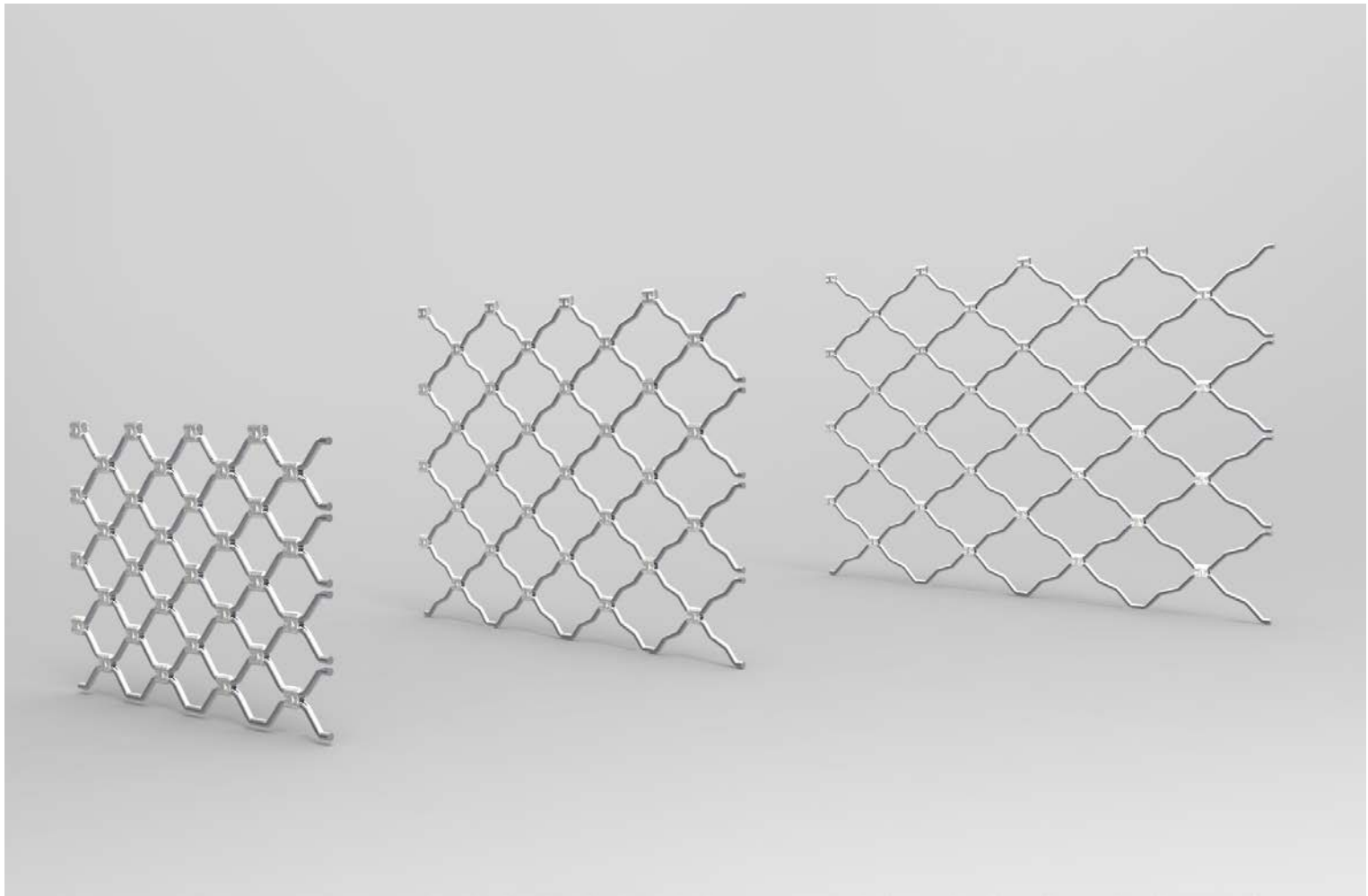
**Galvanized**





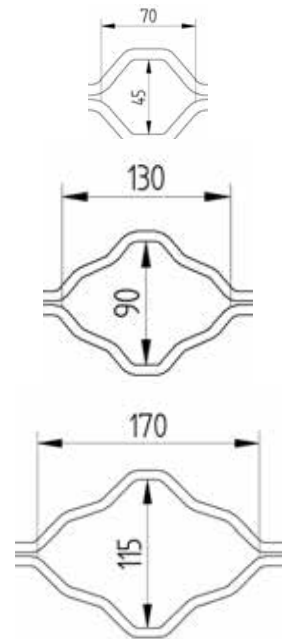
# **NETTING ROLL GALVANIZED**





## Netting Roll - Specifications

Profile	Dense	Medium	Sparse
Material	Solid iron	Solid iron	Solid iron
Dimension	70x45mm	130x90mm	170x115mm
Thickness	Ø 8	Ø 8	Ø 8
Weight	17,5kg/m <sup>2</sup>	11,4kg/m <sup>2</sup>	9kg/m <sup>2</sup>
Colors	RAL	RAL	RAL



<sup>1</sup> Color palette available after request

Certification according to:  
EN 13241-1:2003+A2:2016



## ACCESSORIES

### Terminal Profile Iron Tube

Dimensioni: 80x40

\*Dimensioni can be adjusted depending on the size of the shutter

Art. Code: TL120D



### Terminal Profile B113 Flat for Locks

Art. Code: B113



### End Reinforcement profile

Peso: 1,7 kg/m

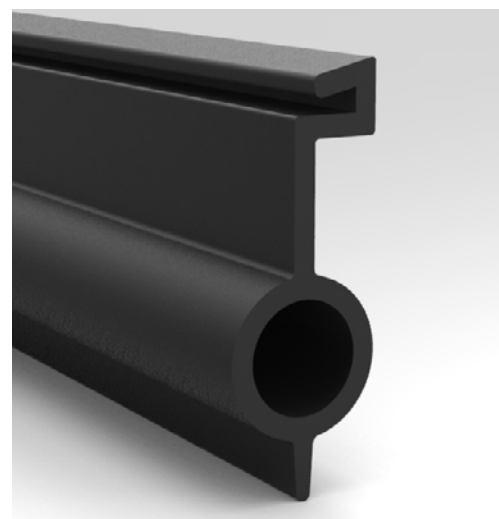
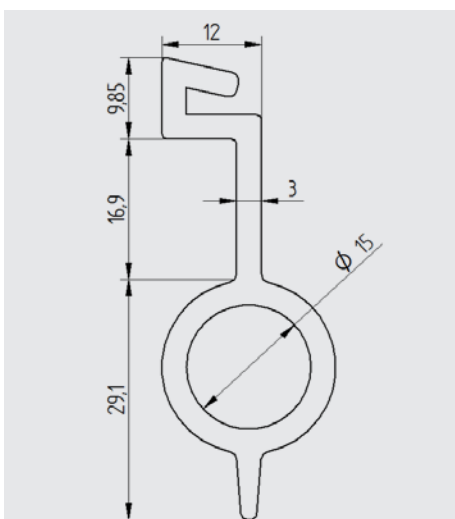
Art. Code: BB40G



### End Rubber

Peso: 0,5 kg/m

Art. Code: G0011





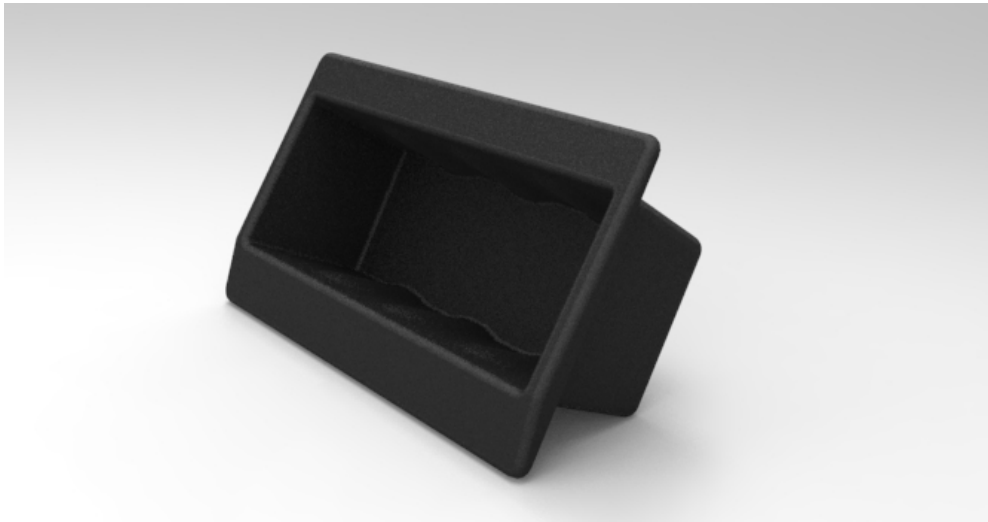


## Plastic Stop

Weight: 0,036 kg/pc

---

**Art. Code:** FR16

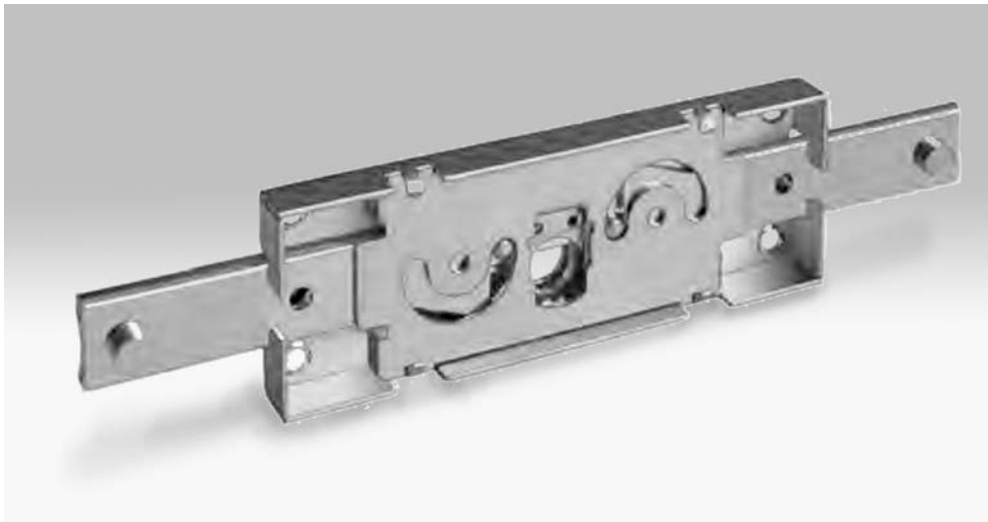


## Plastic Handle

Plastic handle with clip.  
Weight 0,032 kg/pc

---

**Art. Code:** MSP32CLIP

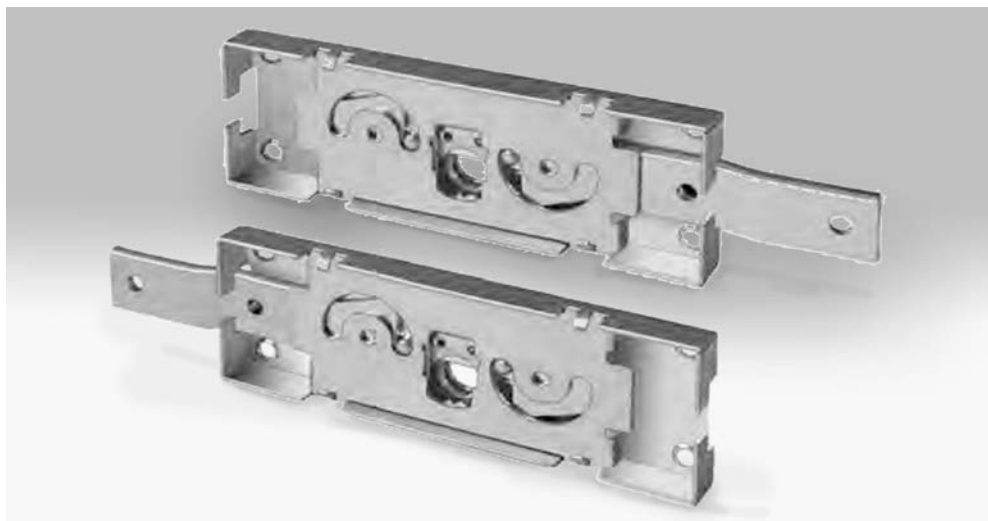


## Central Lock

Peso: 0,480 kg/pc

---

**Art. Code:** CENLCK



## Sidelong Lock

Paia

Peso: 0,916 kg/paia

---

**Art. Code:** SIDLCK





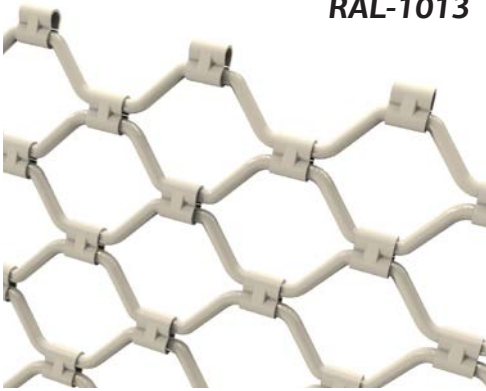
## Color Palette

Wide range of powder coating colours (AKZO NOBEL) with excellent resistance to outdoor conditions and excellent colour retention that meets the requirements of all major European architectural standards BS EN 12206:2004 PART I, QUALICOAT CLASS I and GSB.

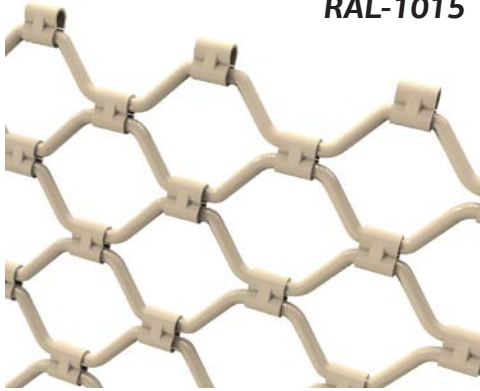
\*Color palette is for reference only. Actual colors may differ.

\*\* More colors available on request.

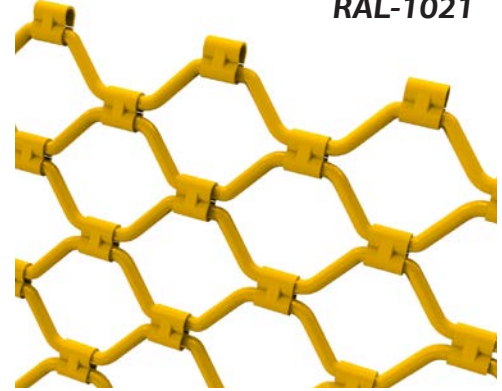
**RAL-1013**



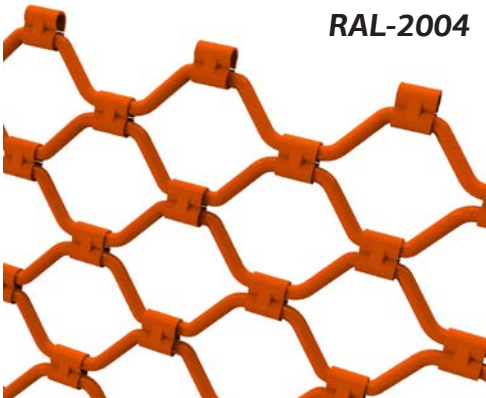
**RAL-1015**



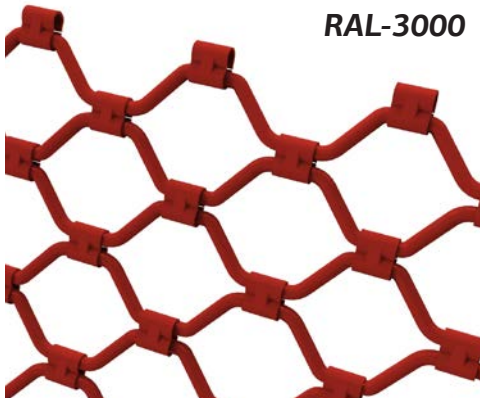
**RAL-1021**



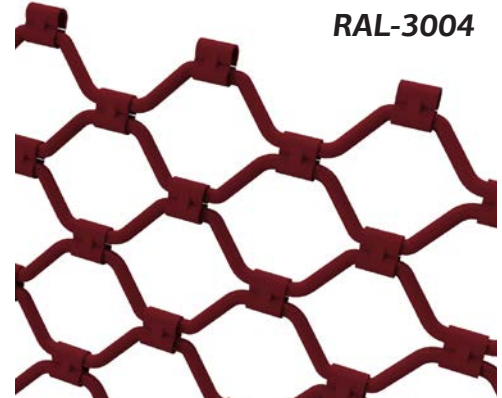
**RAL-2004**



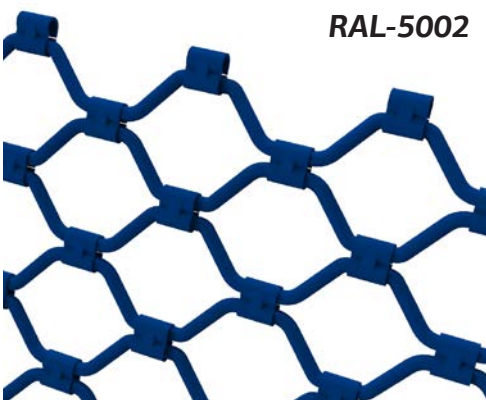
**RAL-3000**



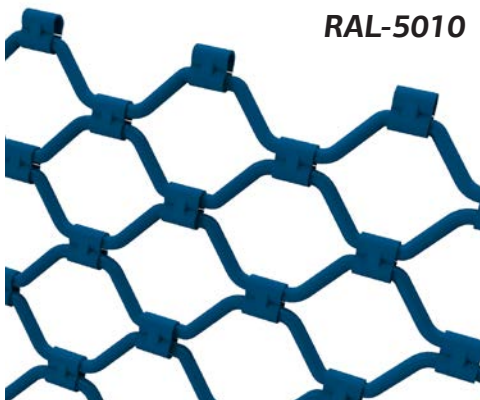
**RAL-3004**



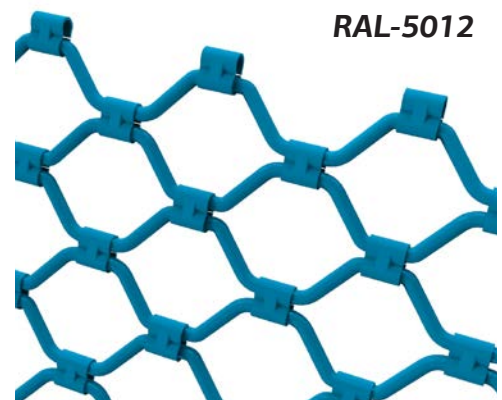
**RAL-5002**



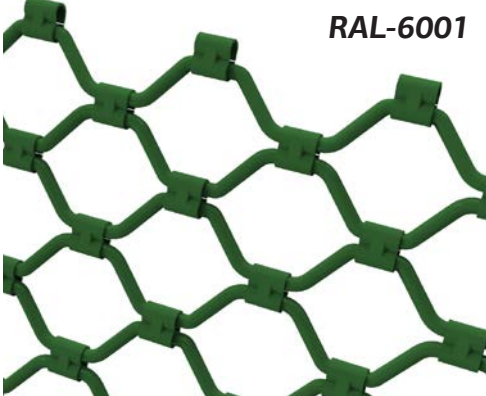
**RAL-5010**



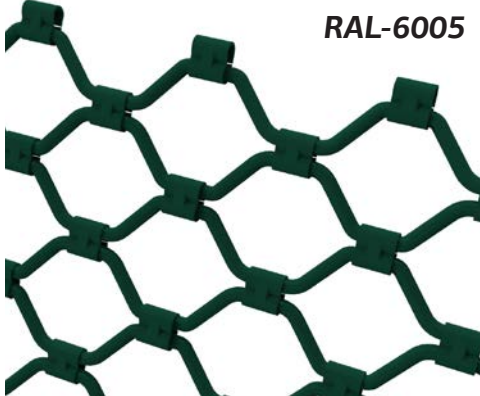
**RAL-5012**



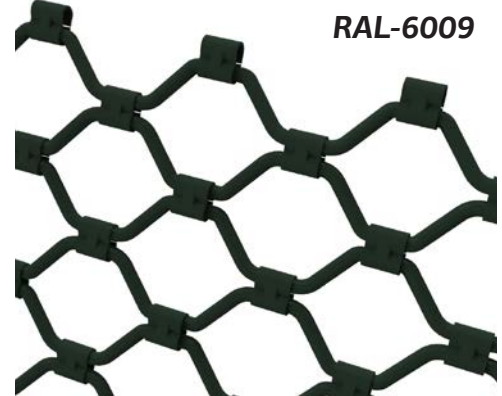
**RAL-6001**



**RAL-6005**



**RAL-6009**





**RAL-7001**



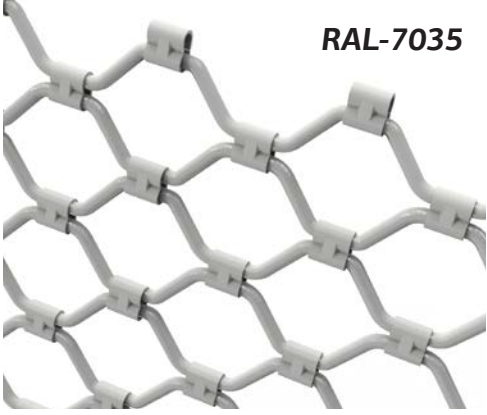
**RAL-7011**



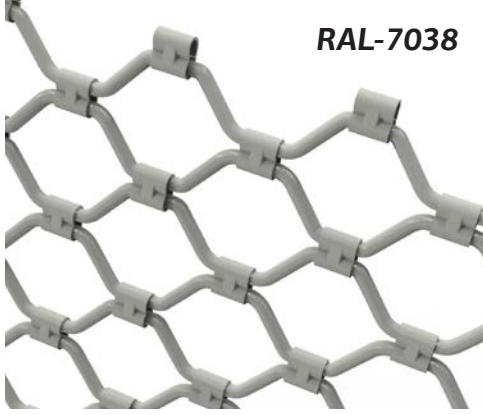
**RAL-7015**



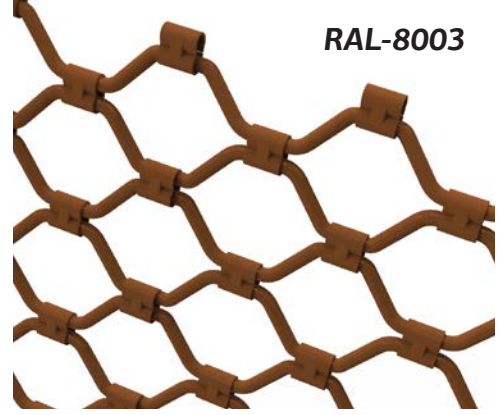
**RAL-7035**



**RAL-7038**



**RAL-8003**



**RAL-8014**



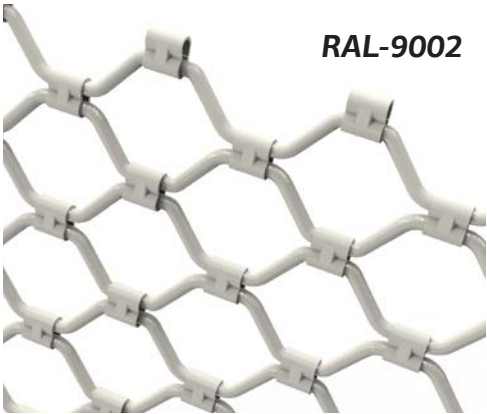
**RAL-8017**



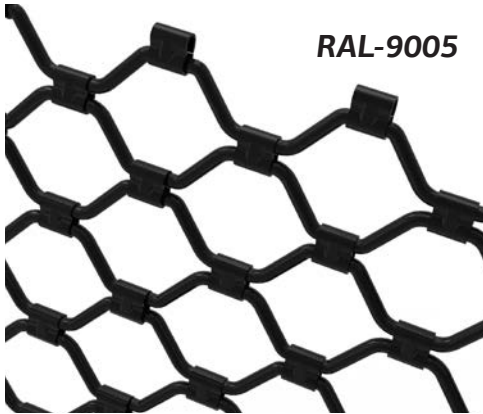
**RAL-8024**



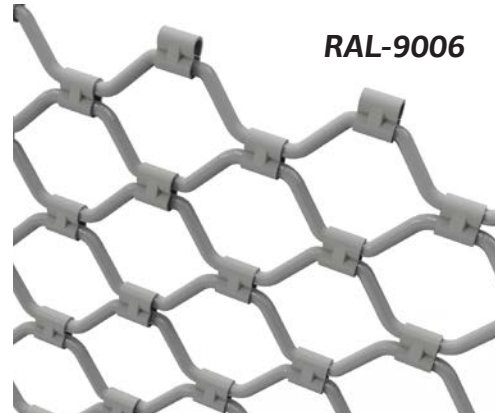
**RAL-9002**



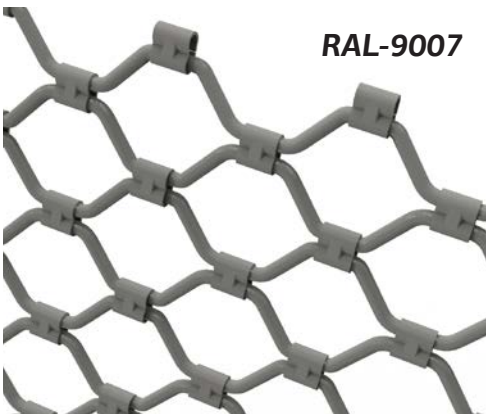
**RAL-9005**



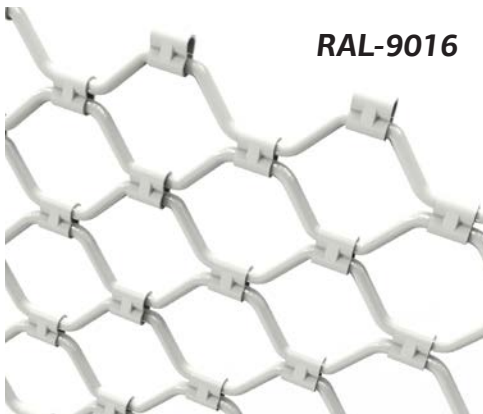
**RAL-9006**



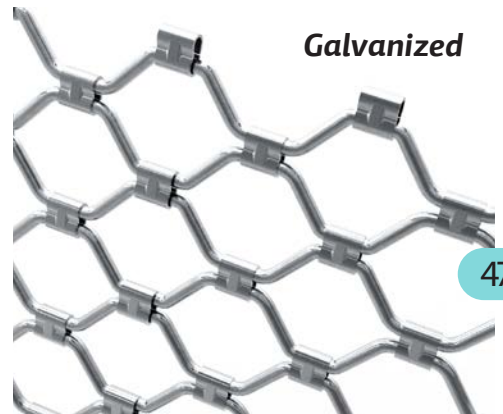
**RAL-9007**



**RAL-9016**



**Galvanized**





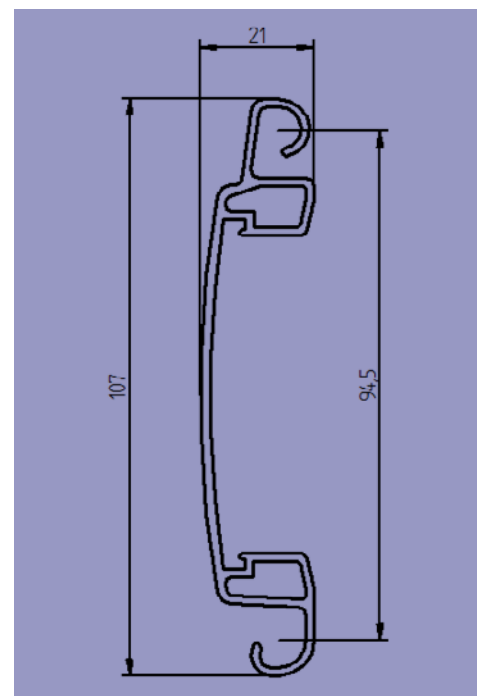
# ALUMINUM EXTRUSION PROFILE ES1





## ES 1 - Aluminum Extrusion Profile - Specifications

Profile	Blind
Height/ Step - mm	107/95
Pcs /m	10,53
Thickness - mm	2
Weight kg/m	1
Maximum Production Length - Natural	10m
Maximum Production Length - Powder Coated <sup>1</sup>	9m
Spring Boxes	200/220/240
Windows/ Ventilation Grills	See next page
Windload	W:6950 x H:5000 Class 3
Safe Operation	✓
Operating Forces	✓



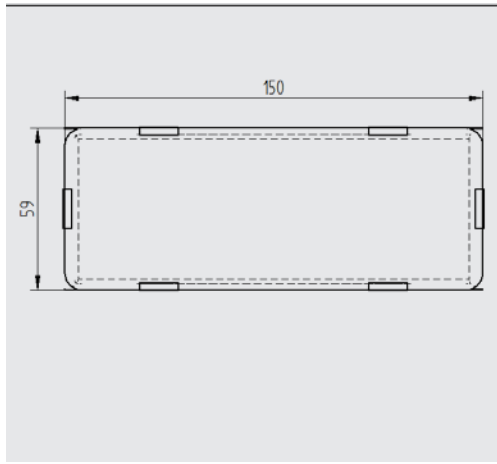
<sup>1</sup> Color palette available after request

Certification according to:  
EN 13241-1:2003+A2:2016





# WINDOWS & GRILLS

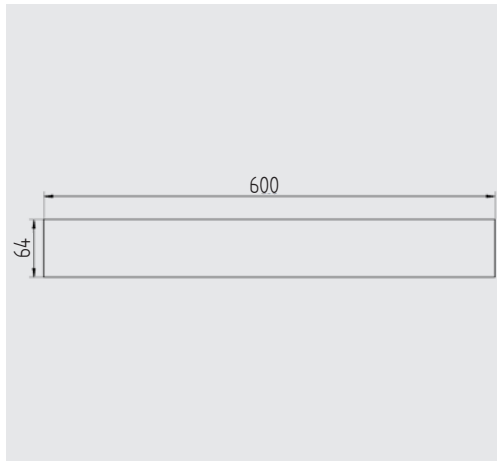


## Windows

PLEXI GLASS (150x60mm) windows on aluminum extrusion profile(40502) option, for natural lighting.

Weight: 0,024kg/pc

**Art. Code:** W15060

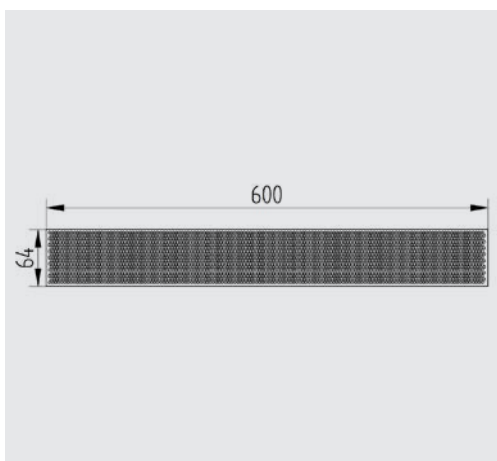


## Windows

PLEXI GLASS ( 600x64mm) windows on aluminum extrusion profile(40502) option, when additional natural lighting is required.

Weight: 0,113/kg/pc

**Art. Code:** W60064



## Perforated Grills

Pefrorated Grills option. Metal plates with 3mm holes for natural ventilation, placed on an aluminum extrusion profile(40502)

**Art. Code:** V60064

\* Special product  
please contact us for construction





## ACCESSORIES

### Aluminum Hooks

**Art.: 40505N**

26mm for the double profiles

Weight: 0,08kg/pc

**Art.: 40505NB**

55mm for the bottom

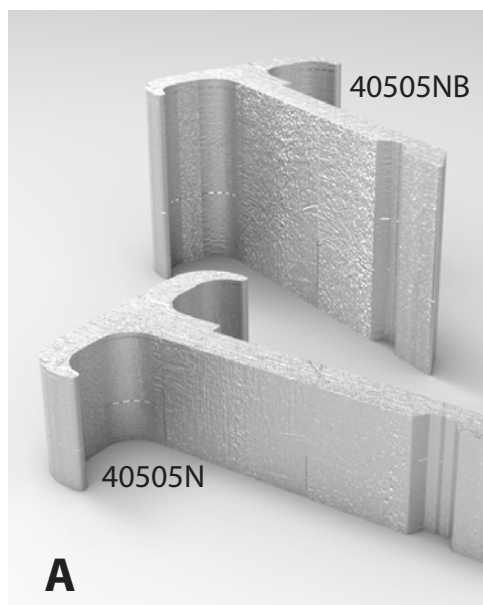
aluminum profile

Weight: 0,17kg/pc

### Plastic Slide for Alu hook 40505

**Art. Code:** PSH

**Inv.:** 24.800.13.00139



### Plastic slide blockers for Aluminum extrusion profile

Plastic slide blockers that are placed in both ends of every aluminum extrusion profile.

Weight: 0,008 kg/pc

**Art. Code:** TL12AL



### Metal Strut "V"

Metal strut from  
galvanized steel.

Height: 105mm

Dimensions: 105x105x1mm

Weight: 2kg/m

**Art. Code:** PC105

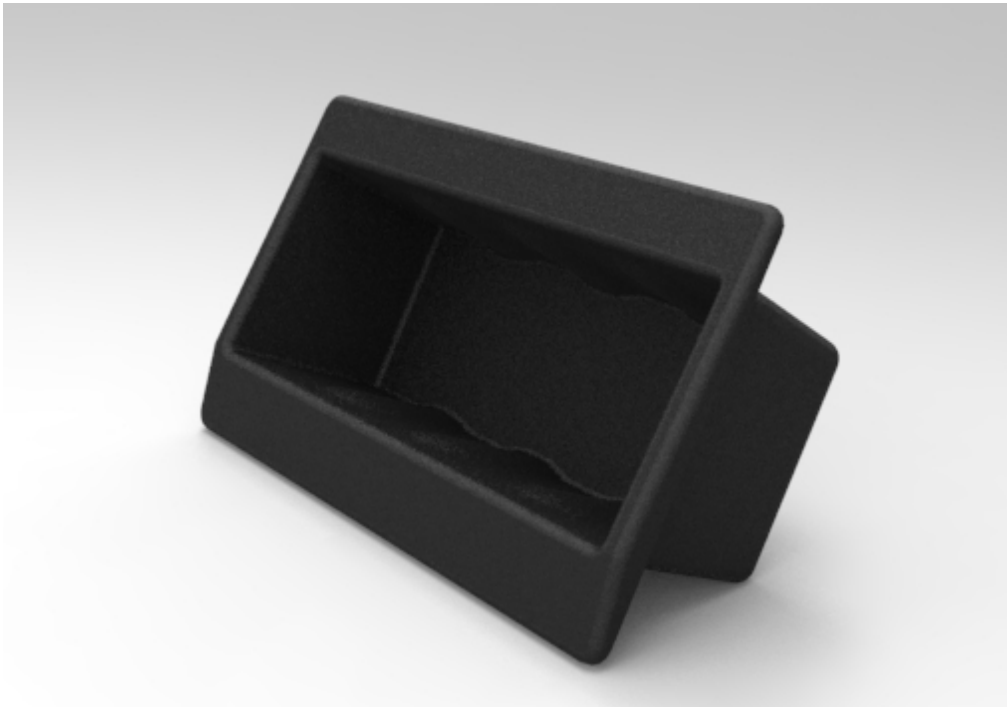
### Cover for Strut "V"

Cover for strut "V" 105

Weight: 0,016 kg/pc

**Art. Code:** PC105





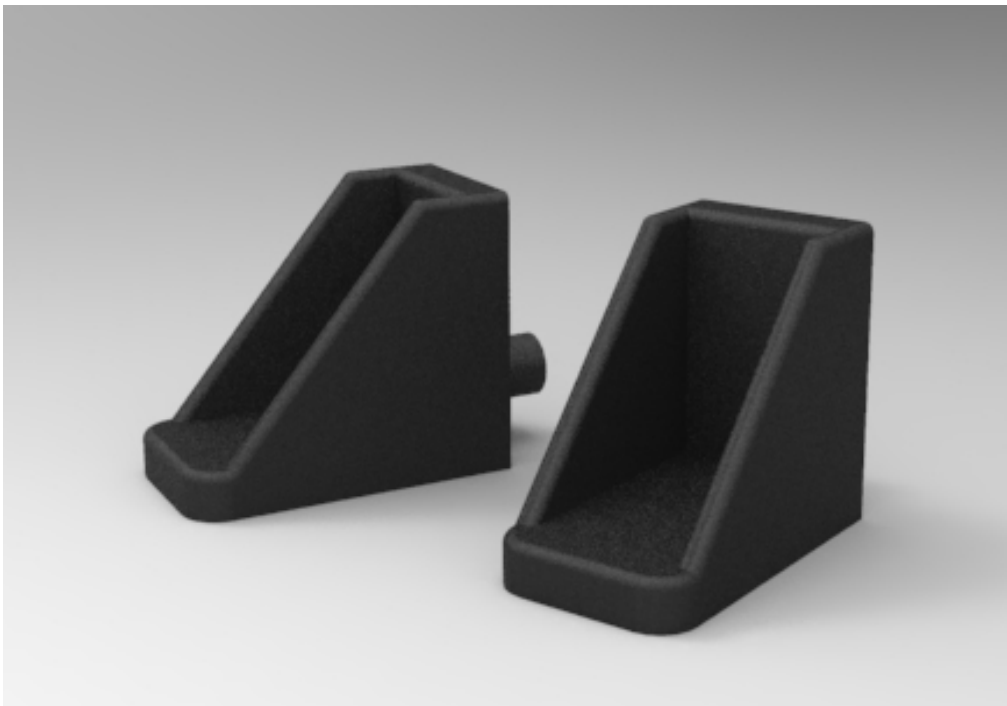
## Plastic Handle

Plastic handle with clip.

Weight 0,032 kg/pc

---

**Art. Code:** MSP32CLIP



## Plastic Stop

Plastic stop used with terminal aluminum profile 40503.

Weight: 0,39 Kg/pc

---

**Art. Code:** FR16AL



## Aluminium Strut

Aluminium strut for bottom profile.

Weight: 0,75 kg/m

---

**Art. Code:** 40513

## Bottom Aluminum Profile

Bottom aluminum extrusion profile:

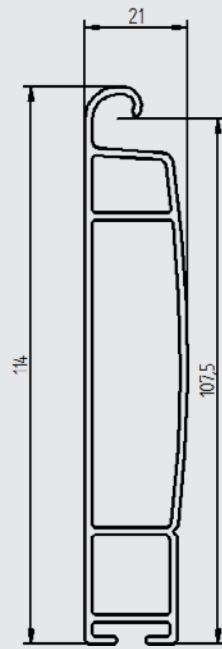
- Up to 10m length  
Natural
- Up to 9m length  
Powder Coated

Weight:

- 1,17kg/m Natural
- 1,20kg/m Powder Coated

---

Art.: 40503

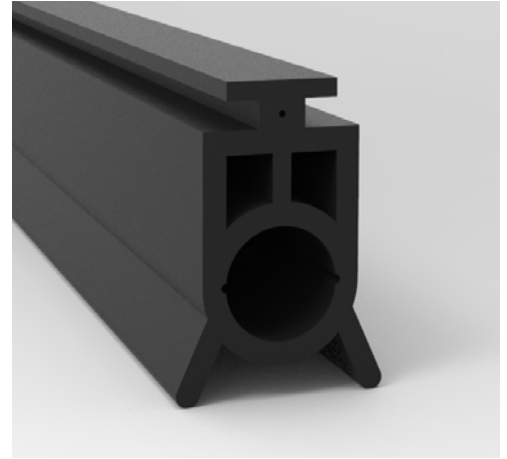
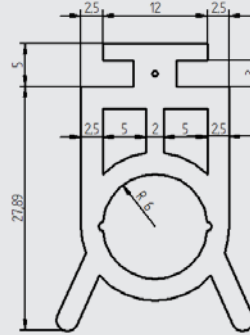


## End Rubber (Standard)

Bottom rubber  
Weight: 0,45 Kg/m

---

Art. Code: TR376



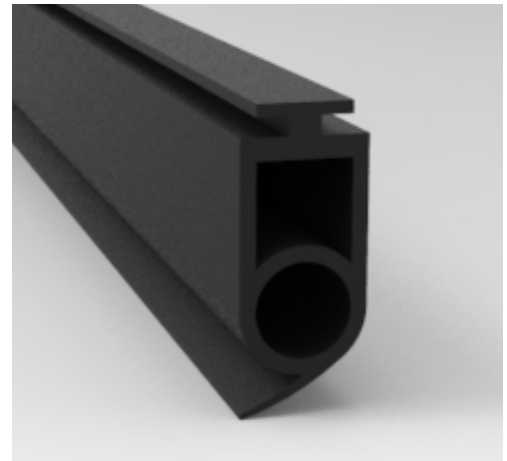
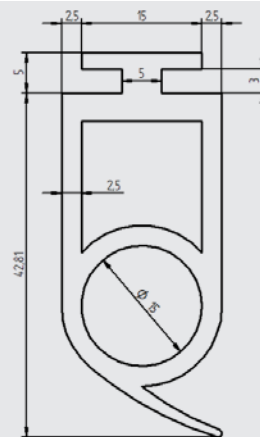
## End Rubber for optosensor

Bottom rubber for optosensor.

Weight: 0,40kg/m

---

Art. Code: TR400





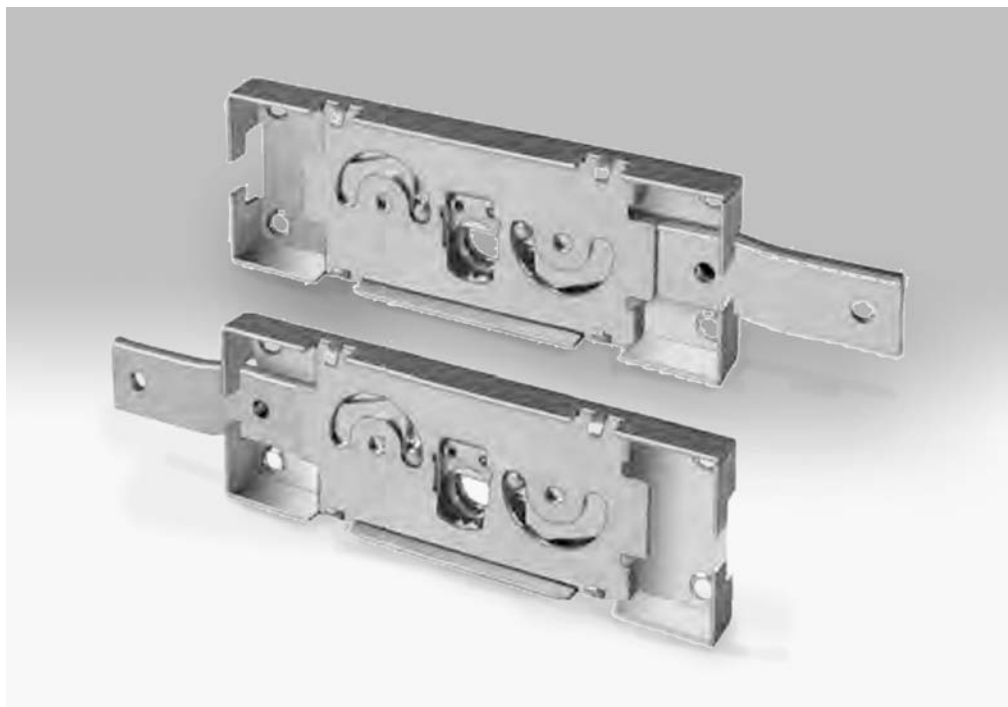
## Suspension Clip

Suspension clip for winding shaft.

Weight: 0,126 kg/pc

---

**Art. Code:** BEIN (regular)  
**Art. Code:** BEOUT (reverse)



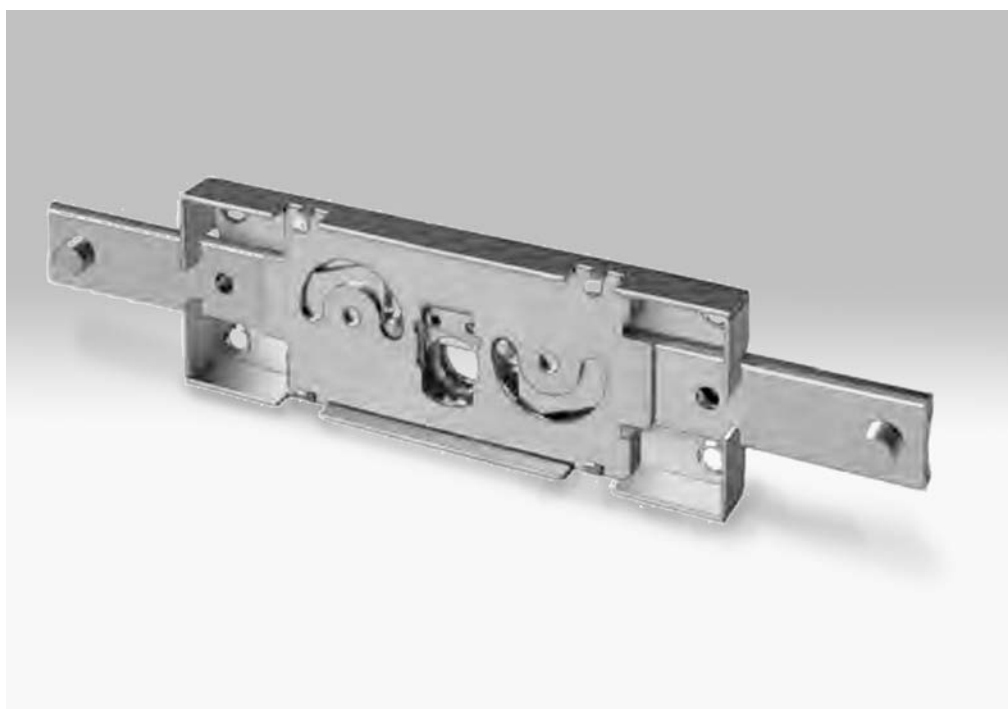
## Sidelong Lock

Pair.

Weight: 0,916 kg/pair

---

**Art. Code:** SIDLCK



## Central Lock

Weight: 0,480 kg/pc

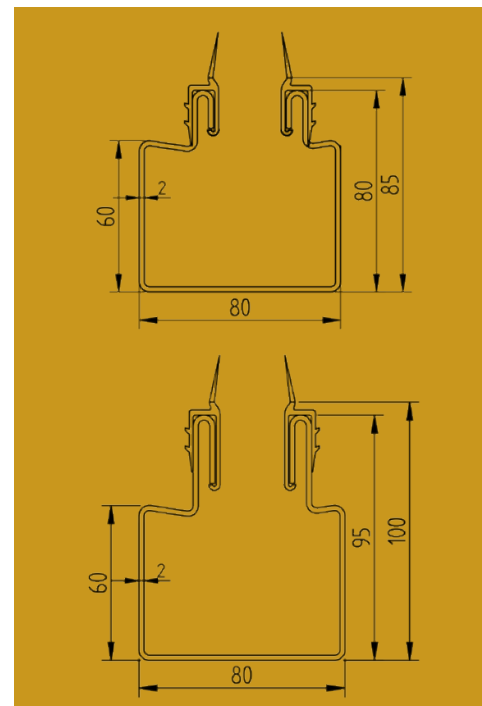
---

**Art. Code:** CENLCK



## Guide “Omega” with lips - Specifications

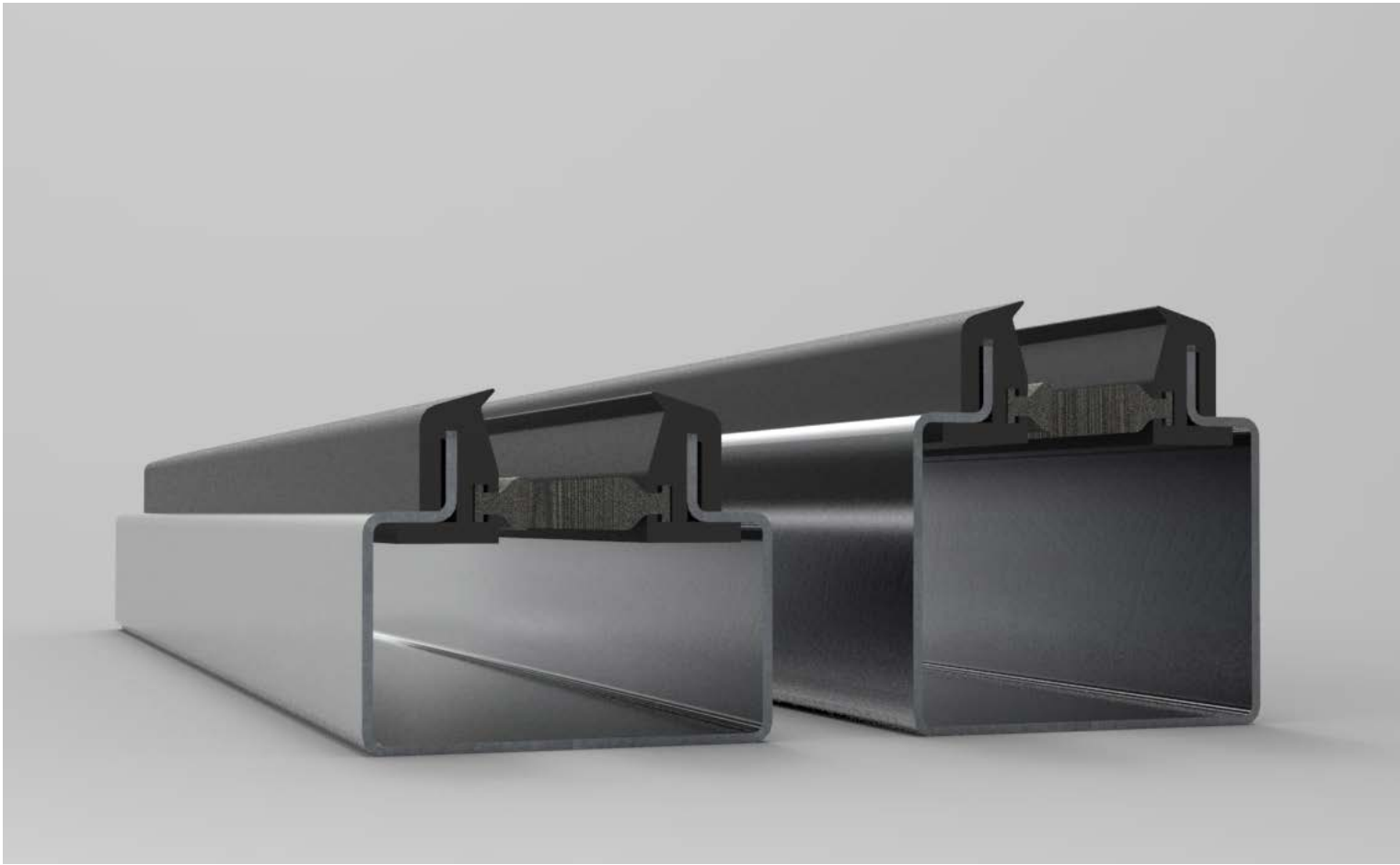
Art. Code	GSPW - 80	GSPW - 95
Weight	4,7 kg/m	5,5 kg/m
Dimensions	80x80mm	95x80mm
Steel Thickness	2mm	2mm
Material	Galvanized Steel	Galvanized Steel
Maximum Length	12m	12m
Hole Dimensions (Big/Small)	27mm/10mm	27mm/10mm
Hole Distance	500mm	500mm
Other Options	Powder Coated	Powder Coated



<sup>1</sup> Color palette available after request

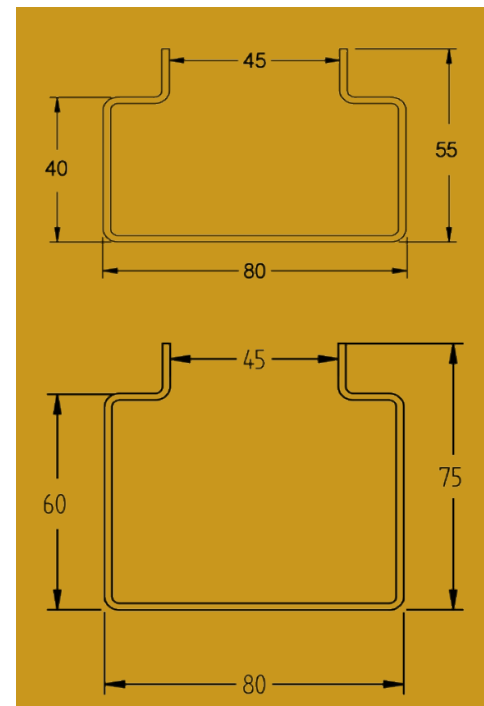
Certification according to:  
EN 13241-1:2003+A2:2016





**Guide “Omega” - Specifications**

Art. Code	G60G	G80G
Weight	2,5 kg/m	4 kg/m
Dimensions	55x80mm	75x80mm
Steel Thickness	1,5mm	2mm
Material	Galvanized Steel	Galvanized Steel
Maximum Length	5m	12m
Hole Dimensions (Big/Small)	-	-
Hole Distance	-	-
Other Options	Powder Coated	Powder Coated

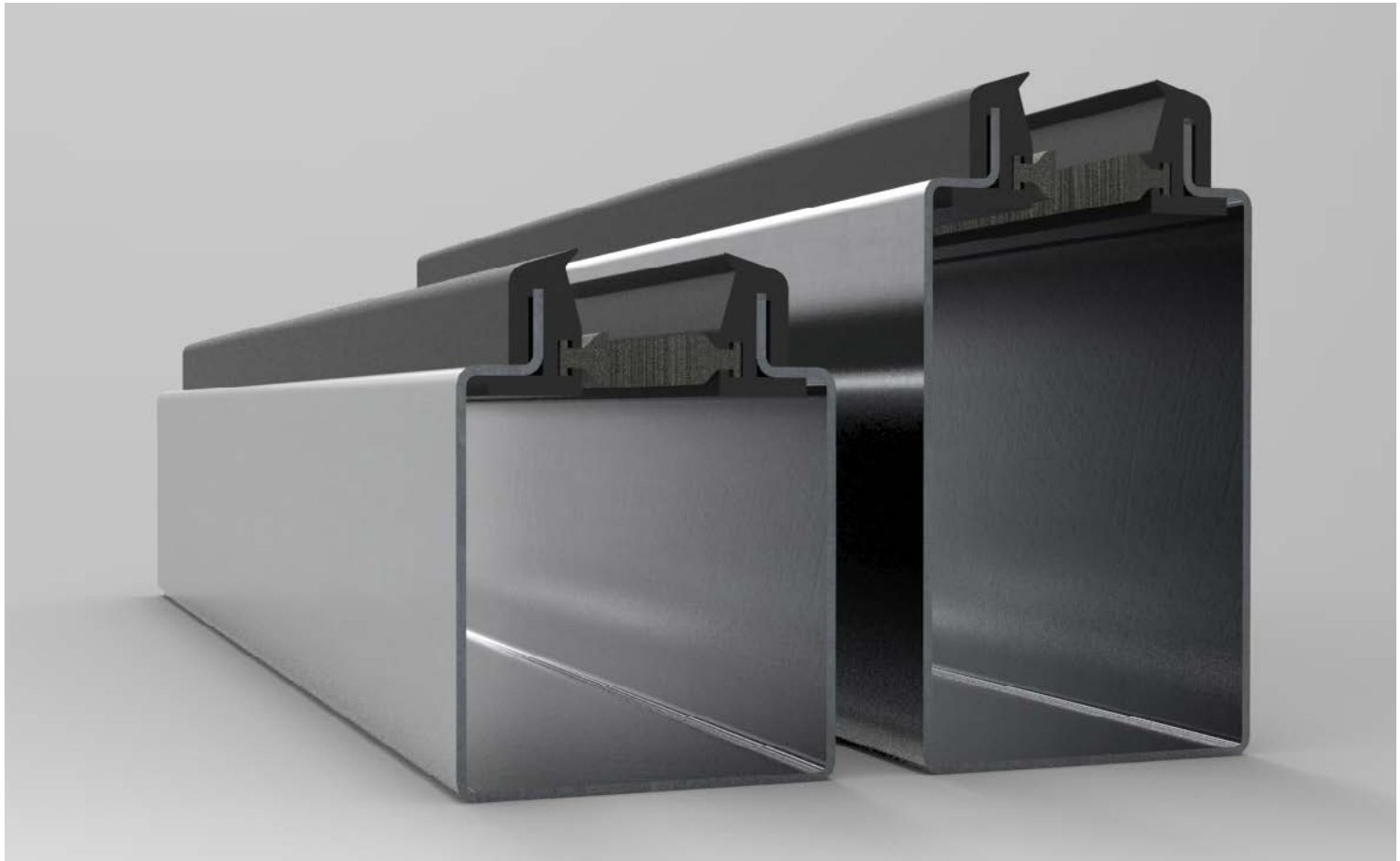


<sup>1</sup> Color palette available after request

Certification according to:  
EN 13241-1:2003+A2:2016

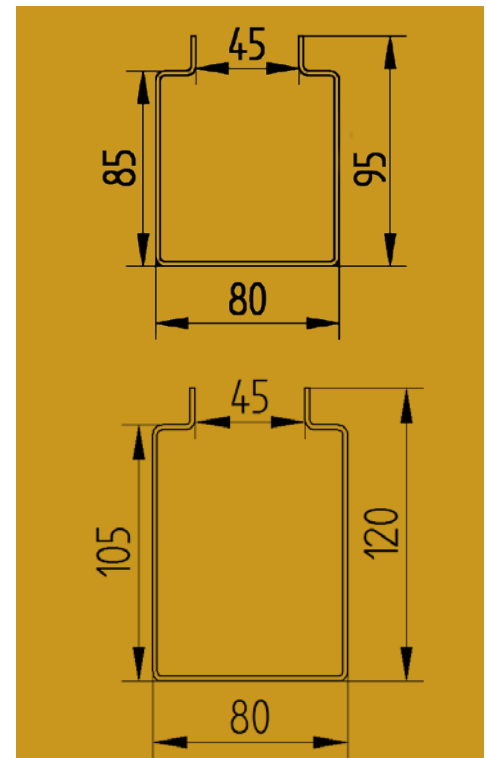






**Guide “Omega” - Specifications**

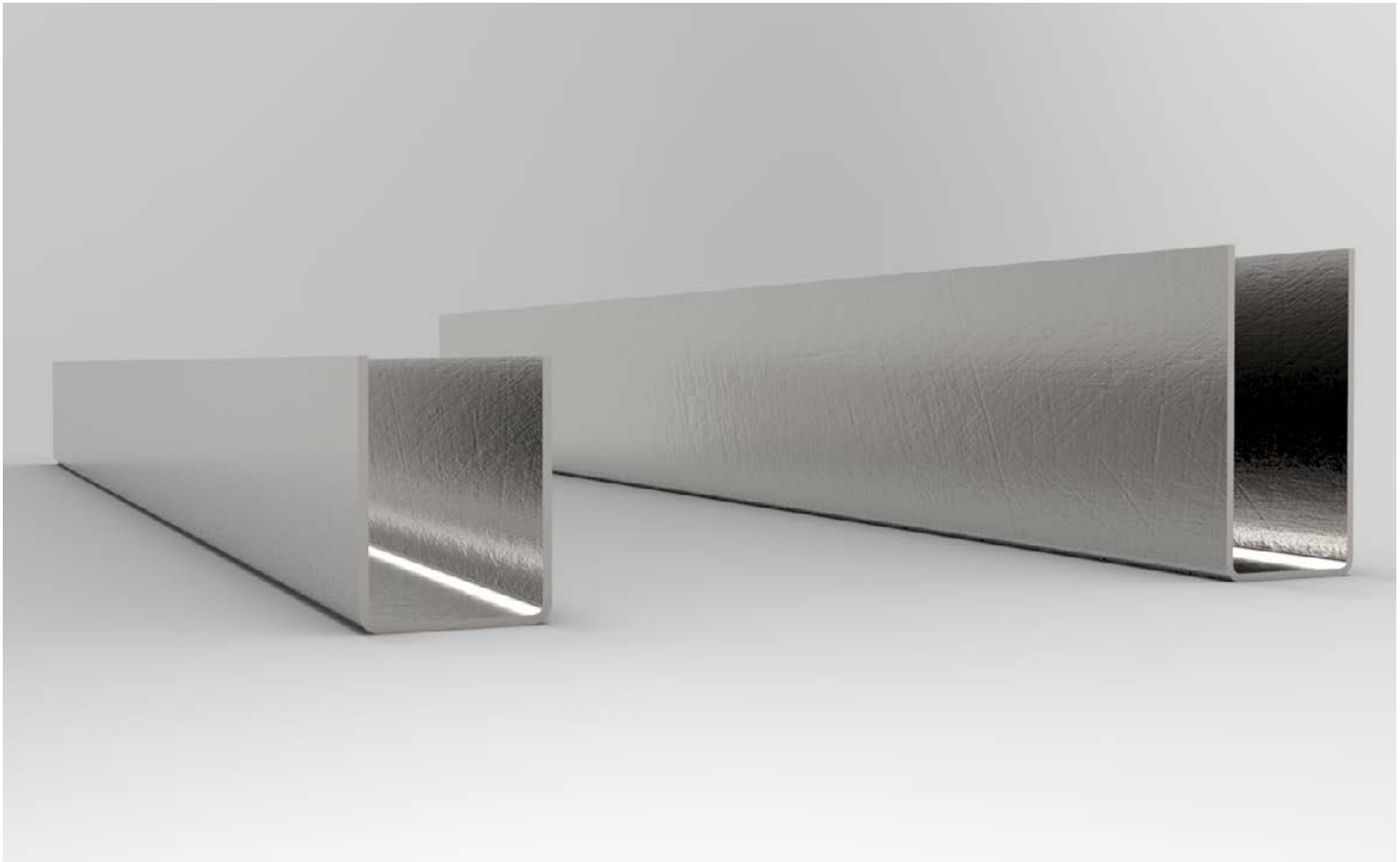
Art. Code	G100G	G120G
Weight	4,5 kg/m	5,6 kg/m
Dimensions	95x80mm	120x80mm
Steel Thickness	2mm	2mm
Material	Galvanized Steel	Galvanized Steel
Maximum Length	5m	5m
Hole Dimensions (Big/Small)	-	-
Hole Distance	-	-
Other Options	Powder Coated	Powder Coated



<sup>1</sup> Color palette available after request

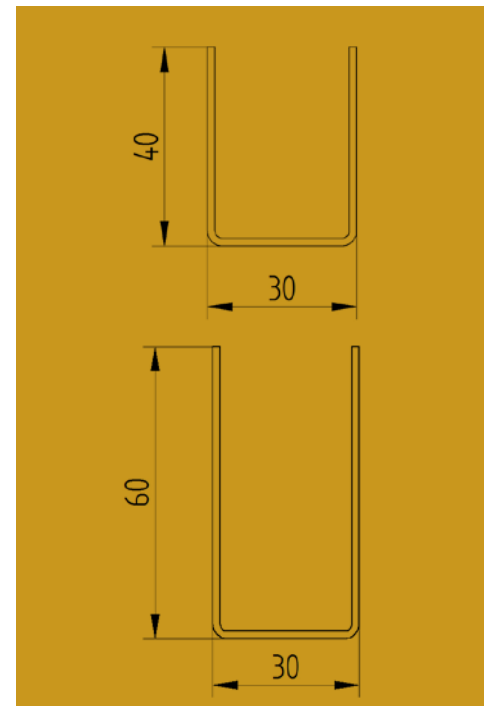
Certification according to:  
EN 13241-1:2003+A2:2016





## Guide “Π” - Specifications

Art. Code	G40SG	G60SG
Weight	1,8 kg/m	2,4 kg/m
Dimensions	40X30mm	60x30mm
Steel Thickness	2mm	2mm
Material	Galvanized Steel	Galvanized Steel
Maximum Length	5m	5m
Other Options	Powder Coated	Powder Coated



<sup>1</sup> Color palette available after request

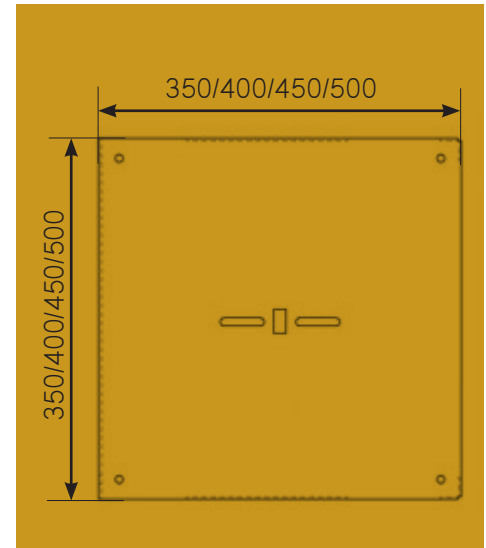
Certification according to:  
EN 13241-1:2003+A2:2016





## Supporto bandiera - Specifiche

Art. Code	FL35G	FL40G	FL45G	FL50G
Weight	6 kg/ζευγ.	8,6 kg/ζευγ.	11,4 kg/ζευγ.	13,6 kg/ζευγ.
Dimensions	350x350mm	400x400mm	450x450mm	500x500mm
Steel Thickness	2,5mm	3mm	3mm	3mm
Material	Galvanized Steel	Galvanized Steel	Galvanized Steel	Galvanized Steel
Other Options	Powder Coated	Powder Coated	Powder Coated	Powder Coated



<sup>1</sup> Color palette available after request

Certification according to:  
EN 13241-1:2003+A2:2016





**SUPPORT-W**

## Guide Support

Support that is used to fix the guides onto the wall.

SUPPORT-W  
for rolling shutter width <8m  
Weight: 0,45 kg/pc

---

**Art. Code:** SUPPORT-W



## Shaft Support

Thickness: 2,5mm  
Weight: 0,380 kg/pc

---

**Art. Code:** SUPS



## Top Sealing Brush

Length: 3m  
Weight: 0,870 kg

---

**Art. Code:** STAL3000

## ACCESSORIES

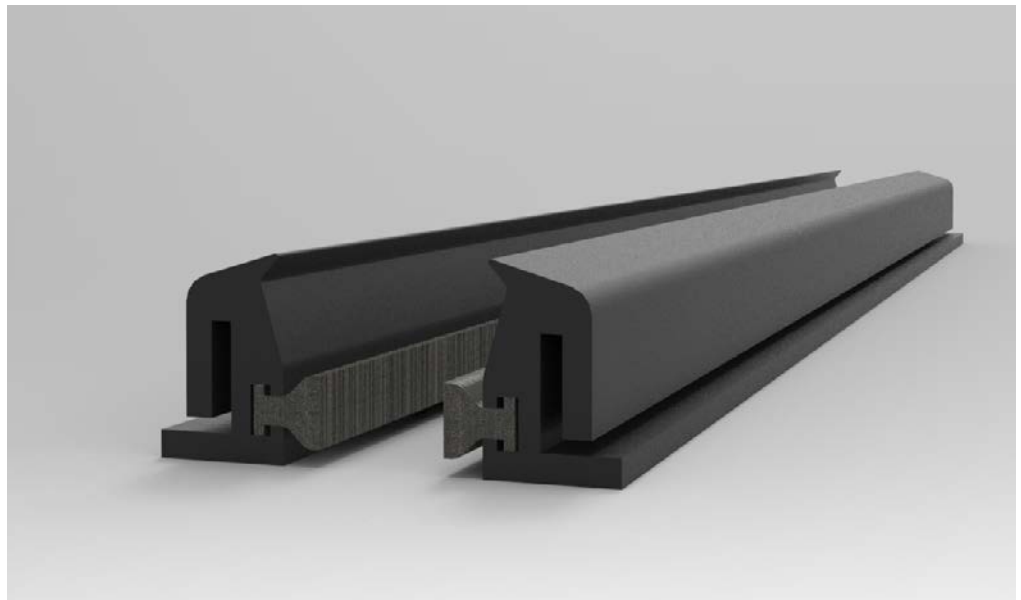
### Guide Rubber Seal

Rubber seal that is used with the "Omega" guides.

Weight: 0,42kg/m

---

**Art. Code:** SP21



### Slide for Guide

Slides that helps the shutter roll into the guides as it descends.

Weight: 0,065 kg/pair

---

**Art. Code:** IN11



### Guide Rubber Seal

Rubber seal that is used with the "Omega" Guide with lips.

Weight: 0,215 kg/m

---

**Art. Code:**

1086 - 4500

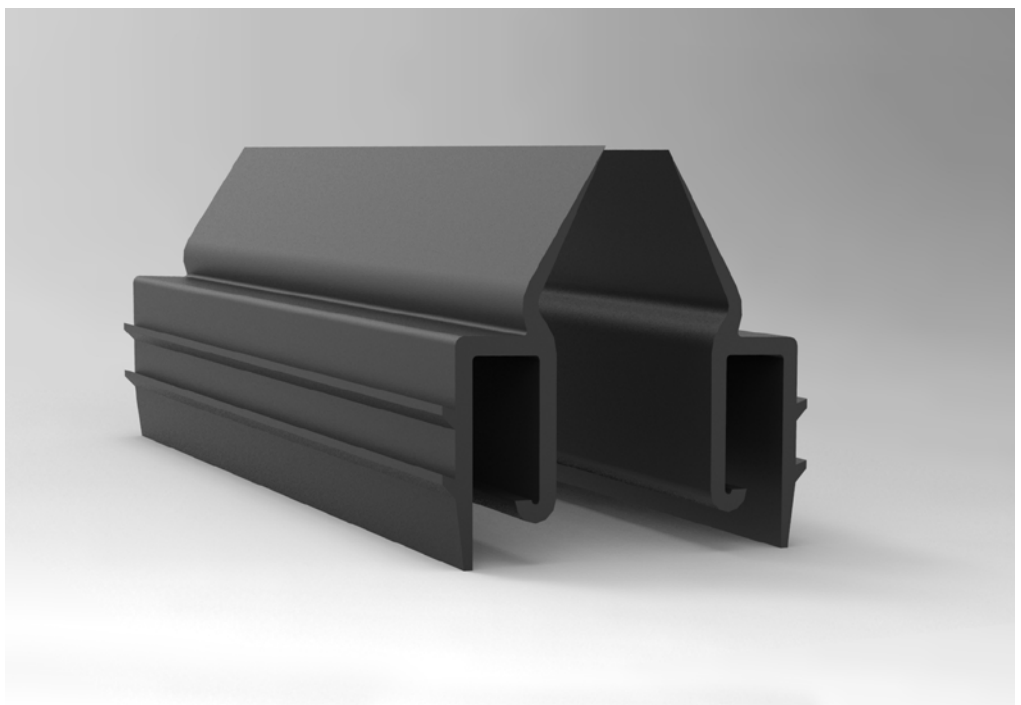
1086 - 5000

1086 - 5500

1086 - 6000

1086 - 7000

1086 - 8000









## Color Palette

Wide range of powder coating colours (AKZO NOBEL) with excellent resistance to outdoor conditions and excellent colour retention that meets the requirements of all major European architectural standards BS EN 12206:2004 PART I, QUALICOAT CLASS I and GSB.

\*Color palette is for reference only. Actual colors may differ.  
\*\* More colors available on request.

**RAL-7001**



**RAL-1013**



**RAL-1015**



**RAL-1021**



**RAL-2004**



**RAL-3000**



**RAL-3004**



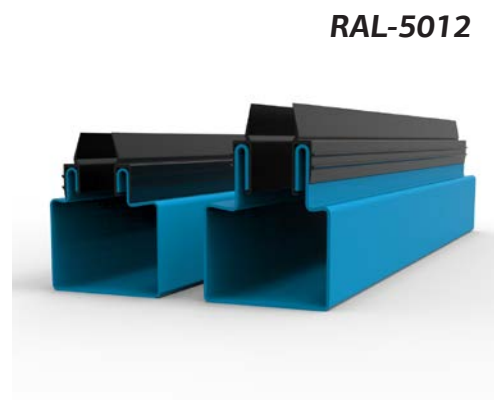
**RAL-5002**



**RAL-5010**



**RAL-5012**



**RAL-6001**



**RAL-6005**



**RAL-6009**



**RAL-7011**



**RAL-7015**



**RAL-7016**



**RAL-7035**



**RAL-7038**



**RAL-8003**



**RAL-8014**



**RAL-8017**



**RAL-8024**



**RAL-9002**



**RAL-9005**



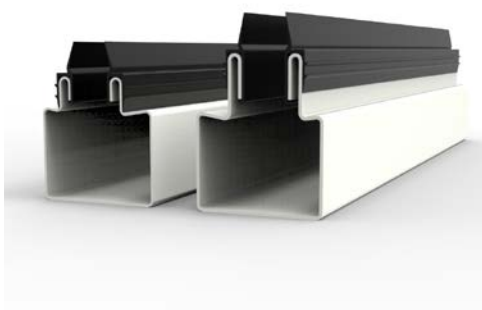
**RAL-9006**



**RAL-9007**



**RAL-9016**



**Galvanized**







## Spring Box with metallic bearings

Diameter:  $\varnothing 220$   
Weight: 1,51kg/pc

Diameter:  $\varnothing 240$   
Weight: 2,19 kg/pc

---

**Art. Code:**  $\varnothing 220$ : SPB220S  
**Art. Code:**  $\varnothing 240$ : SPB240S



## Spring Box with plastic bearings

Diameter:  $\varnothing 200$   
Weight: 0,98 kg/pc

**Art.:**  $\Phi 200$  SPB200N

---

Diameter:  $\varnothing 220$   
Weight: 1,05 kg/pc  
**Art.:**  $\varnothing 220$  SPB220N

---

Diameter:  $\varnothing 240$   
Weight: 1,59 kg/pc  
**Art.:**  $\varnothing 240$  SPB240N

---

Diameter:  $\varnothing 280$   
Weight: 2,72 kg/pc  
**Art.:**  $\varnothing 280$  SPB280N



## Plastic Ring for Spring Box

For spring boxes  
 $\varnothing 220$  and  $\varnothing 240$ .

Weight: 0,040 kg/pc  
0,420 kg/pc

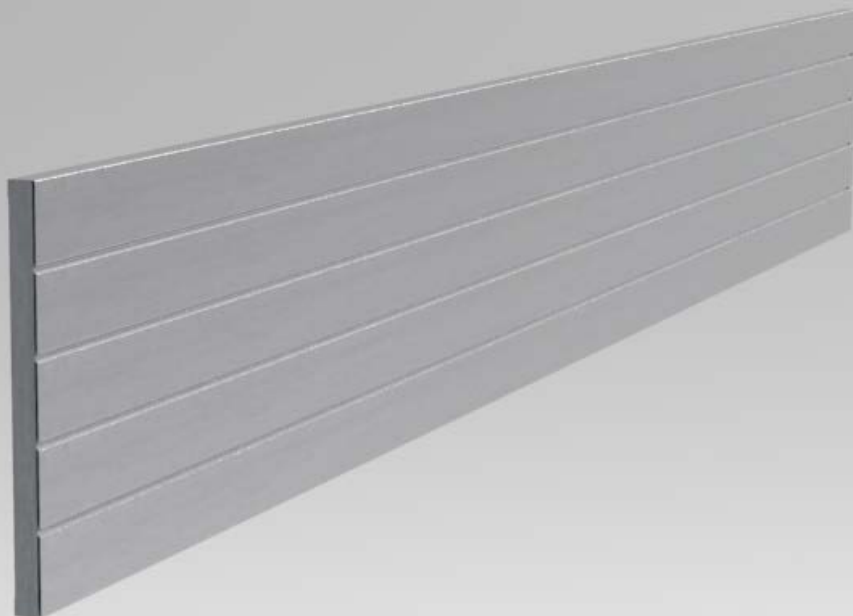
---

**Art.:** RB220  
**Art.:** RB240



## Front Frame - Specifications

Art. Code	FRAME 400	FRAME 450	FRAME 500
Weight	4 kg/m	4,4 kg/m	4,8 kg/m
Dimensions	400x30mm	450x30mm	500x30mm
Steel Thickness	1 mm	1 mm	1 mm
Material	Galvanized Steel	Galvanized Steel	Galvanized Steel
Other Options	Powder Coated	Powder Coated	Powder Coated

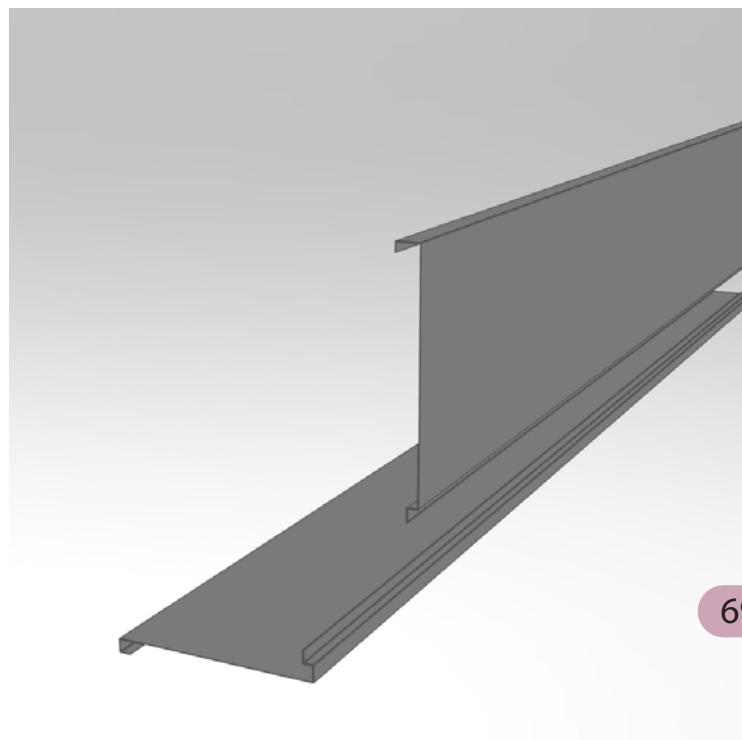
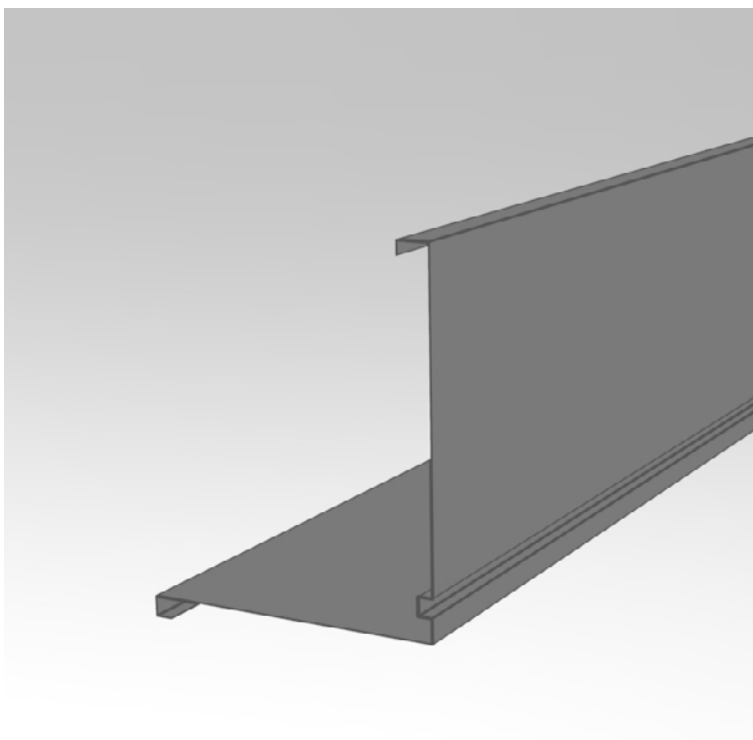






## Two Side Box - Specifications

Art. Code	BOX 400	BOX 450	BOX 500
Weight	7,2 kg/m	8 kg/m	8,8 kg/m
Dimensions	400x400mm	450x450mm	500x500mm
Steel Thickness	1 mm	1 mm	1 mm
Material	Galvanized Steel	Galvanized Steel	Galvanized Steel
Other Options	Powder Coated	Powder Coated	Powder Coated





## Three Side Box - Specifications

Art. Code	FRAME 400	FRAME 450	FRAME 500
Weight	10,5 kg/m	11,5 kg/m	12,8 kg/mm
Dimensions	400x400mm	450x450mm	500x500mm
Steel Thickness	1 mm	1 mm	1 mm
Material	Galvanized Steel	Galvanized Steel	Galvanized Steel
Other Options	Powder Coated	Powder Coated	Powder Coated

