



Residential Rolling Shutter

BIOROL ROLLING SHUTTERS

The great challenge of Biorol from the first day of its institution was the development and evolution of an innovative philosophy which would have anthropocentric and customer base.

Looking at today's leading position in this specific sector as well as the high esteem gained by its customers, one can easily realize that the challenge has been met.

Investing in a stable workforce, which works daily under excellent working conditions and generally within an environment where high respect dominates as well as the development and rewarding of work, we have managed to establish the most appropriate production and distribution conditions of products.

At the same time we have managed to build an ideal system of values with strong foundations, where responsibility and respect for the consumer dominates, placing the customer at the center of developments meeting his needs and requirements through an interactive relationship of trust and integrity.



The BIOROL residential series is characterized by the quality of the materials used. The wide range of gates combines functionality and aesthetic quality.

Our wide range of colors can meet every customer's requirements.

Our residential doors require the minimum possible space so you can save plenty of useful space inside the building.

The section with windows, make the interior space bright and the exterior attractive. Ideal for those who want a unique door, which combines style and safety.

**RESIDENTIAL
ROLLING
SHUTTER**

“

*“All
Biorol SA
company
products
are man-
ufactured
with
certified
quality”*



*Scan this QR code to view all
BIOROL S.A. certificates*



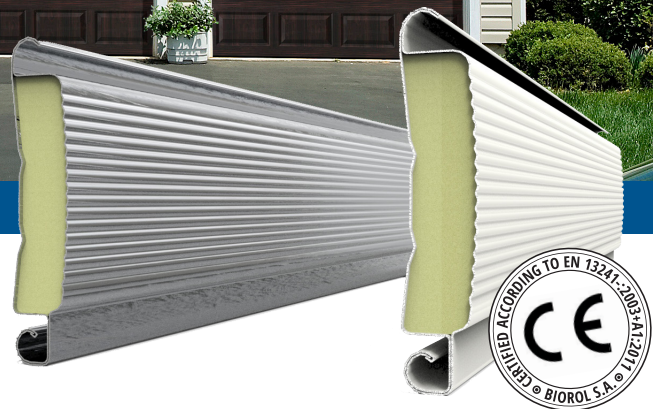
CERTIFICATIONS

All doors are developed and manufactured by BIOROL S.A., in Greece, according to the DIN ISO 9001:2008 quality management system and fulfill all the requirements of European standard EN 13241-1:2003+A1:2011 to ensure your safety.

Our highly qualified employees also work intensively on new products, continual further developments and improvement to details.



DOUBLE PROFILE in **steel** or **aluminum**



For the construction of the industrial rolling shutters, BIOROL S.A. uses only high quality and durable materials. With a wide range of choices between small and big windows, ventilation and a wide range of colors you are able to create a completely customized product that fits perfectly with your building and its surroundings.

BIOROL 's mission is to provide you with all the advantages of safety , thermal insulation and soundproofing by creating a durable and elegant rolling shutter. The double sided profile filled with polyurethane is manufactured from either hot galvanized steel sheet or aluminum.

Joining great quality and unmatched design BIOROL S.A. has created a profile that is both durable and functional.



“

“Elegance, Aesthetic Design & Quality meet up to make the perfect product to secure your house”

 **BIOROL** S.A.



[Learn more...](#)



DOUBLE PROFILE

Double sided profile filled with polyurethane. It is manufactured from either hot galvanized steel sheet or aluminum. Joining great quality and unmatched design BIOROL S.A. has created a profile that is both durable and functional.

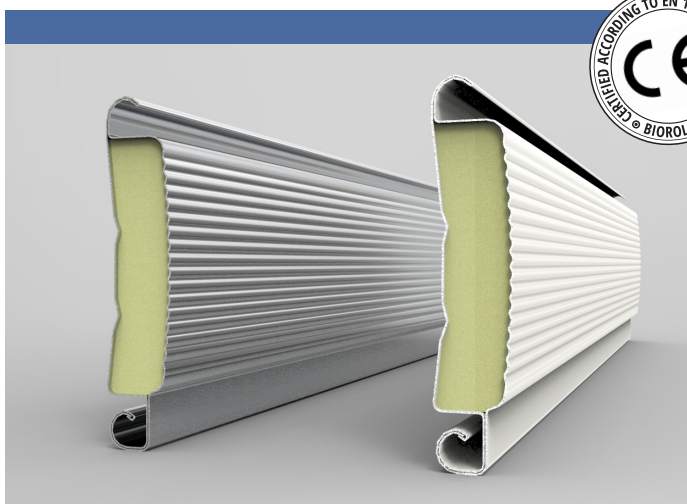
Certified Dimensions:

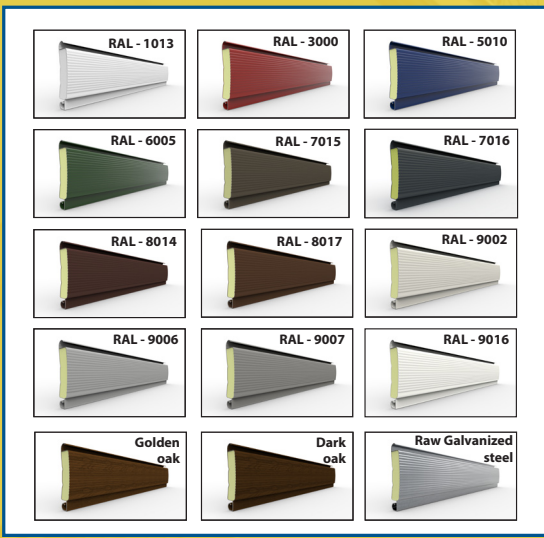
CB1 Steel - W:up to 7000mm - Class 4

CB2 Aluminum - W:6000xH:6000 Class 3

Sound Reduction: R~21dB

Thermal Transmittance: Up [W/(m²K)] 4,46





You can choose from a wide range of powder coating colours with excellent resistance to outdoor conditions and excellent colour retention that meets the requirements of all major European architectural standards. Also, two wood imitation plasticized colors are available.

- Powder coatings are color. But powder coatings of artistic quality are our matter.
- Environment Friendly
- Certified by Qualicoat and GSB - TGIC free

- » *Special design unique in the European market.*
- » *Silent Operation.*
- » *Made from one piece metal sheet.*
- » *Excellent resistance to adverse conditions without additional expensive equipment.*
- » *High-performance of heat and sound insulation.*

Windows

Double plexiglass (130x60mm) windows option, for lighting.

Ventilation Grills

Ventilation grills from double plexiglass (134x64mm) option, for ventilation.

Windows

Plexiglass (150x60mm) windows on aluminum extrusion profile(40502) option, for lighting.

Windows

Plexiglass (600x64mm) windows on aluminum extrusion profile(40502) option, when additional lighting is required.

Windows

Plexiglass (150x60mm) windows on aluminum extrusion profile(40502) option, for lighting.

Windows

Plexiglass (600x64mm) windows on aluminum extrusion profile(40502) option, when additional lighting is required.



SINGLE PROFILES



B113 - Pastore



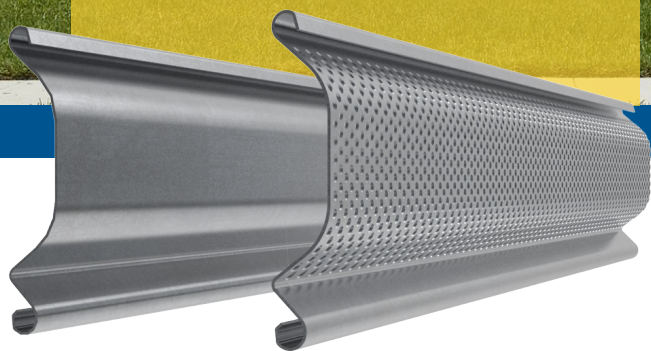
B113C - Pastore Curved

“

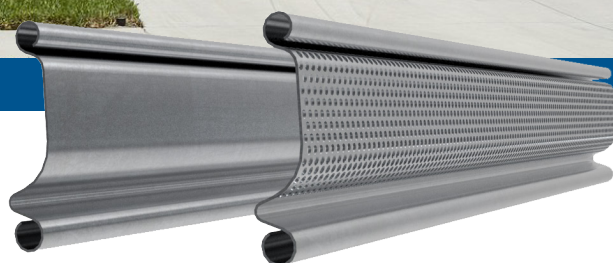
“Suitable for houses, car garages, shops, as well as any place that must be restricted or fully secured”



BIOROL S.A.



B95 - Antitebesta



B71 - Antitebesta



“

“In your absence rolling shutters can effectively protect your property.”

BIOROL S.A.

SINGLE SHEET STEEL PROFILE

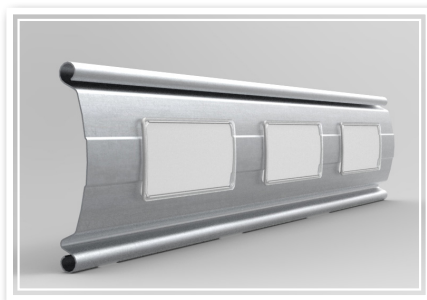
» Hot galvanized steel sheet profile, suitable for warehouse, garage or shop security.

» The perforated version of the profiles quite useful as it combines in-store vision, ventilation and maximum security.

» Windows can be placed on B113C profile that can be combined with any other of the profiles.



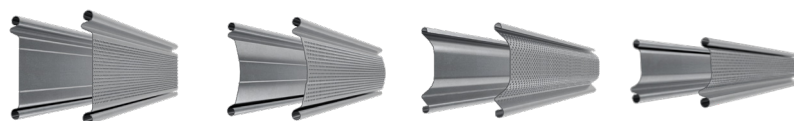
Choose between 25 RAL tints.



B113C profile with windows.

» In your absence rolling shutters can effectively protect your property.

» You can choose from a wide range of powder coating colors with excellent resistance to outdoor conditions and excellent color retention that meets the requirements of all major European architectural standards.



Profile Name	B113	B113C	B95	B71	DB
Height/Step (mm)	128,5/113	128,5/113	82,5/71	82,5/71	129,7/113
Thickness (mm)	0,8/1,0/1,2	0,8/1,0/1,2	0,8/1,0/1,2	0,8/1,0/1,2	0,8/1,0
Weight (kg/m)	1,15/1,43/1,72	1,15/1,43/1,72	0,98/1,23/1,48	0,85/1,06/1,28	2,3/2,88



DB - Double Wallet



Double steel sheet profile, hot galvanized (140gr/m²), that is made with two steel sheets that slide one into each other. The inner space that is created can be filled with an insulating material (optional). Double Wallet profile is commonly used in shops but is usable in any other facility. You can choose from a variety of RAL powder coated colors to creating a rolling shutter that fits your needs.



<u>Profile Name</u>	<u>DB</u>
<u>Height/Step (mm)</u>	<u>129,7/113</u>
<u>Thickness (mm)</u>	<u>0,8/1,0</u>
<u>Weight (kg/m)</u>	<u>2,3/2,88</u>



“

“Ideal for installing in storefronts, especially jewelery shops where security requirements are stricter”

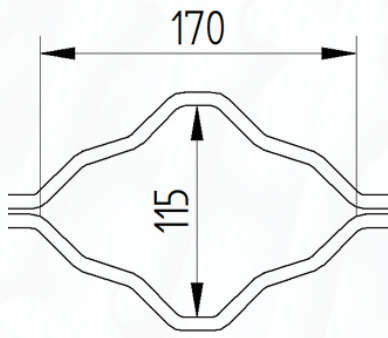
 **BIOROL** S.A.

ROLLER GRILLES

Specially shaped rods of galvanized solid iron diameter Ø8 that are linked between with special ties to create the overall net. Ideal for installation in storefronts due to the combination of high security and in-store vision.

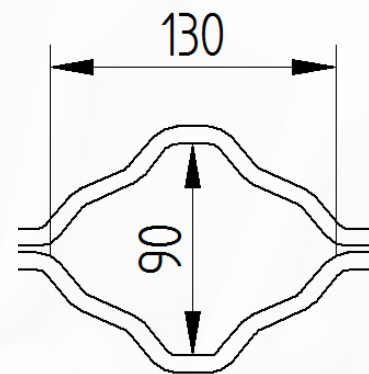
A rolling shutter that is largely hand- assembled with great persistence and patience by experienced technical staff. You can choose between three different patterns: Sparse (170x115) , Medium (130x90) and Dense (70x45).

You can choose from a wide range of powder coating colors with excellent resistance to outdoor conditions and excellent color retention that meets the requirements of all major European architectural standards.



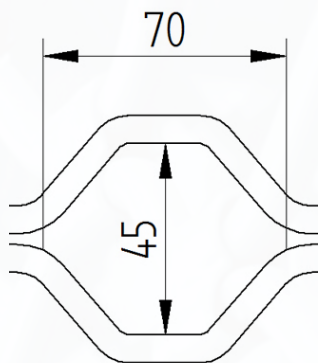
Sparse Profile

Solid Iron tube (Ø8) with 170x115mm holes. Weight: 9,0 kg/m²



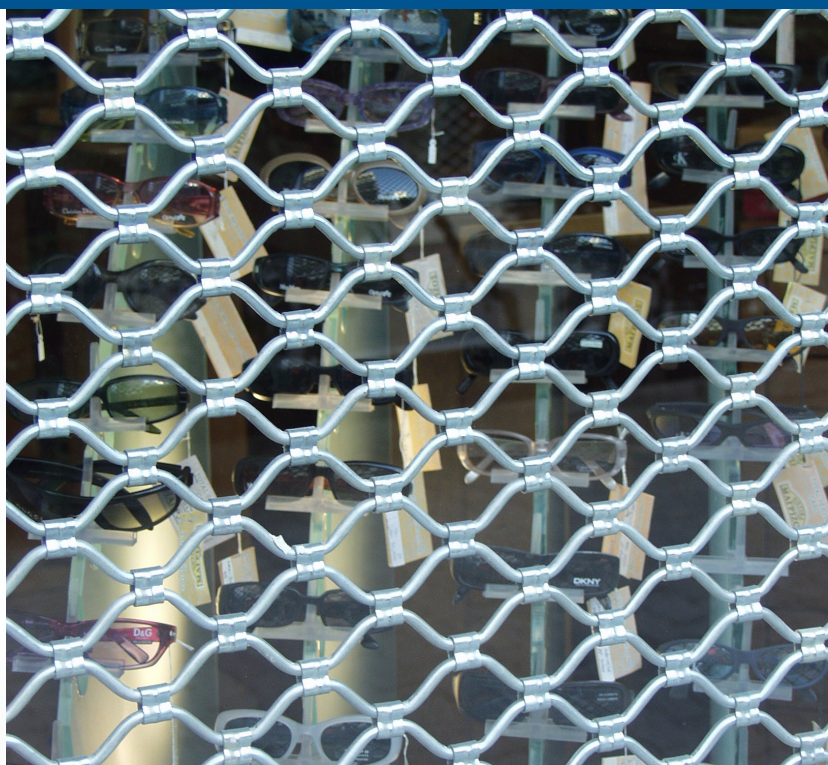
Medium Profile

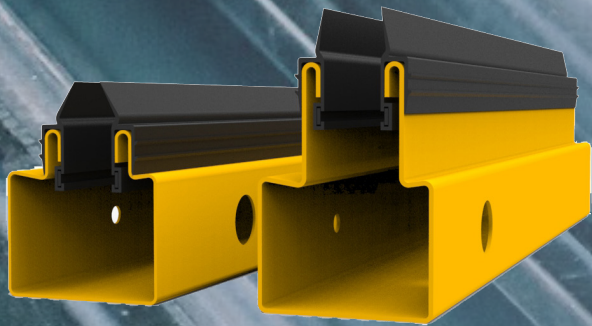
Solid Iron tube (Ø8) with 130x90mm holes. Weight: 11,4 kg/m²



Dense Profile

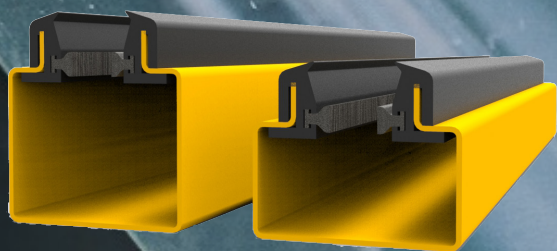
Solid Iron tube (Ø8) with 70x45mm holes. Weight: 17,5 kg/m²





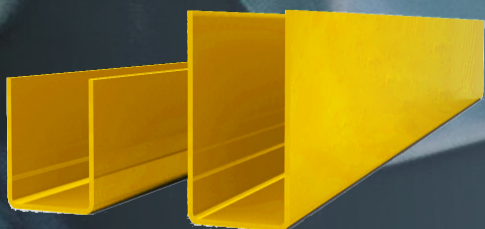
Guide “Omega” with lip

Dimensions	80x80x2mm	110x80x2mm
Weight	4,7kg/m	5,5kg/m
Max. Length	12m	12m



Guide “Omega”

Dimensions	60x80x1,5mm	80x80x2mm	100x80x2mm	120x80x2mm
Weight	2,5kg/m	4kg/m	4,5kg/m	5,6kg/m
Max. Length	5m	5m	5m	5m



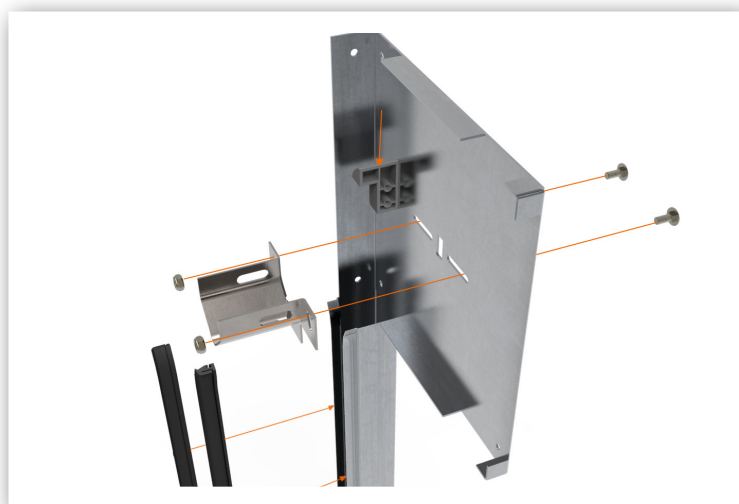
Guide “U”

Dimensions	40x30x2mm	60x30x2mm
Weight	1,8kg/m	2,4kg/m
Max. Length	5m	5m



GUIDES

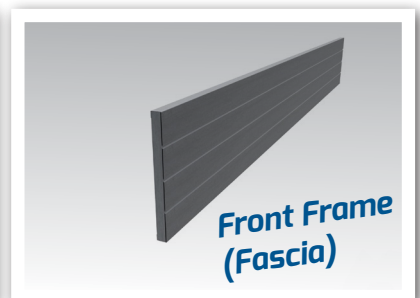
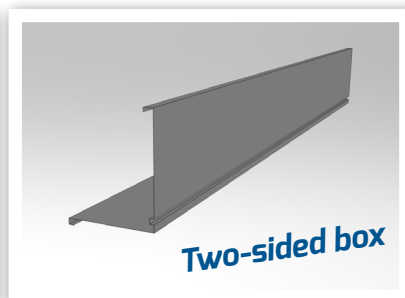
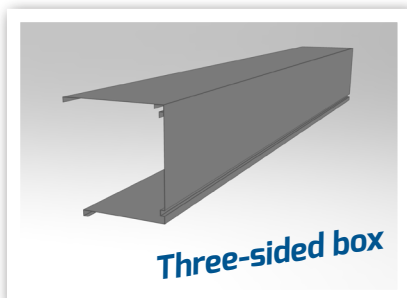
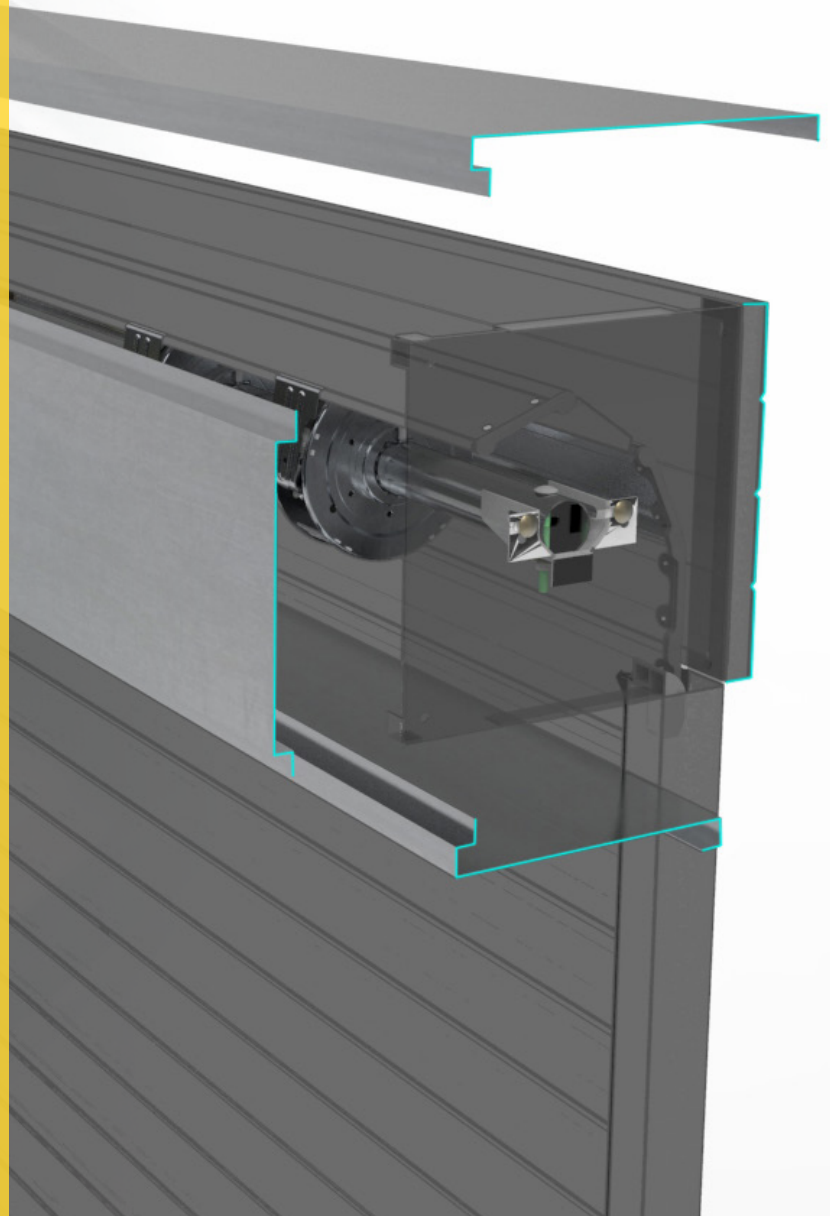
Special shaped guides with various cross sections of 1,5mm or 2mm thick steel sheet, with integrated rubbers and brushes to reduce thermal losses help with sound reduction. Guides are painted with the same color as the rolling shutter.



“

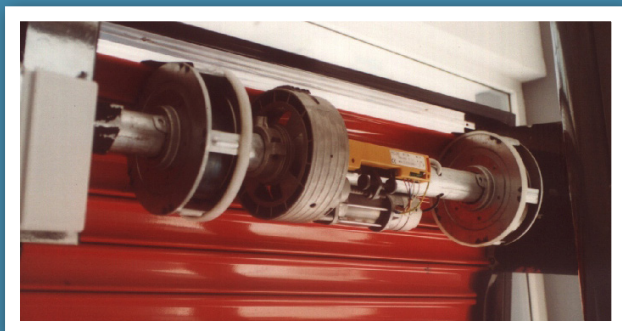
Three-sided box that protects the shaft and the motor from external damage.”

 **BIOROL** S.A.

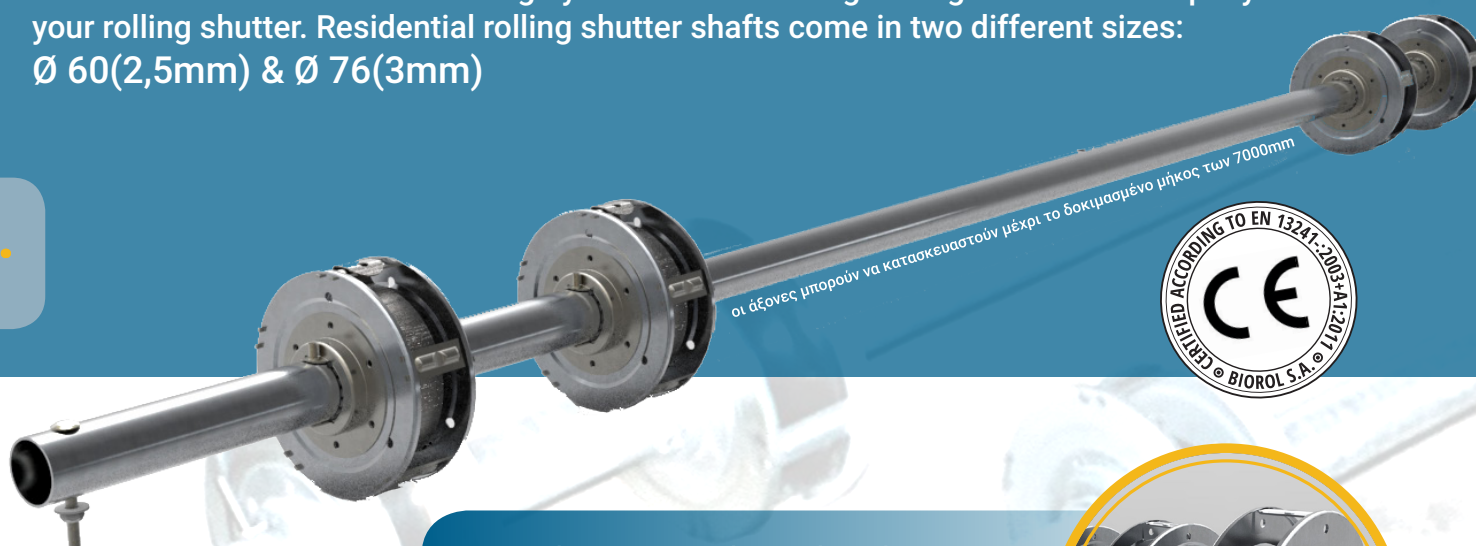


- Exist for safety and security reasons
- Protects the shaft and the curtain from dust or other elements as well as from any infringement
- Made from bended galvanized steel sheet and can be powder coated to fit perfectly with the rest of the shutter and the surrounding structure.

SHAFTS & SPRING BOXES



The shaft is one of the most important parts in the operation of the shutter. In BIOROL S.A. we manufacture highly functional and long lasting shaft to accompany your rolling shutter. Residential rolling shutter shafts come in two different sizes: $\varnothing 60(2,5\text{mm})$ & $\varnothing 76(3\text{mm})$



Spring boxes are used to enclose the springs that lift the role. Spring boxes with metallic ball bearings can be used for maximum performance and durability. They are available in: $\varnothing 220$ & $\varnothing 240$

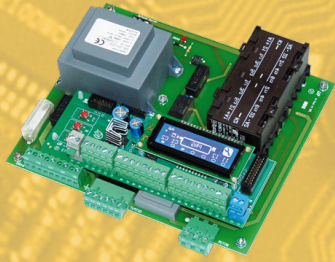


Spring boxes with plastic ball bearings can be used for a more affordable solution. They are available in: $\varnothing 200$, $\varnothing 220$ & $\varnothing 240$



Plastic rings for spring boxes. They are available in: $\varnothing 220$ & $\varnothing 240$

ΗΛΕΚΤΡΟΝΙΚΑ & ΚΙΝΗΤΗΡΕΣ



Control panel with internal receiver for remote controlling of the shutter.

Remote controllers for you and your family so you can control the shutter from distance.



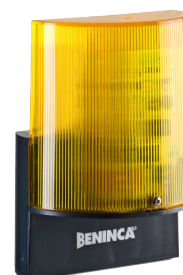
Photocells can be used to avoid any unwanted accident and to ensure a safe operation of the shutter.

Photocells can be used to avoid any unwanted accident and to ensure a safe operation of the shutter.



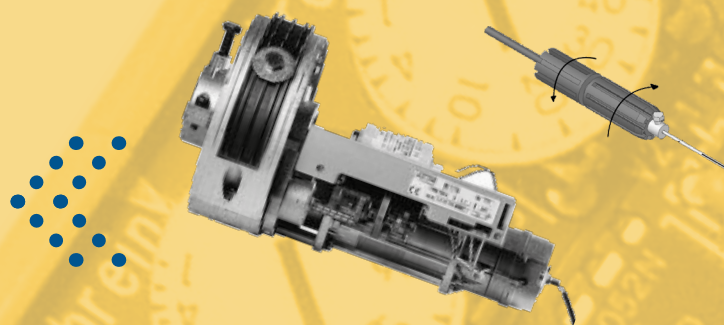
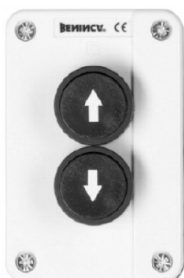
Safety edge in conductive rubber can be used to avoid accidents during the closing of the shutter.

LED lighting is available so you can actually signal when the shutters is operating.



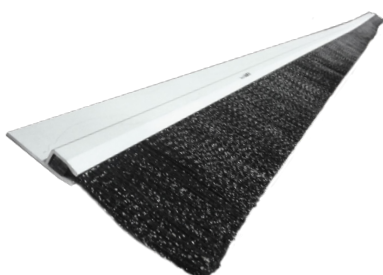
Manual operation equipment so you can use the shutter even when power grid is off.

Proper motor is chosen depending on the dimensions and the weight of the rolling shutter.



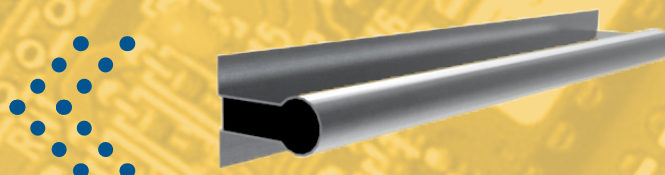
Operation button.

Keyswitch for the operation of the shutter for when more safety is needed.

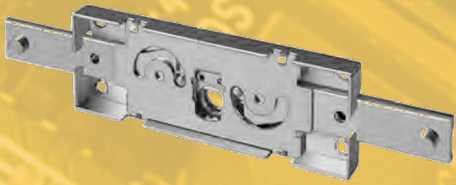


Top sealing brush with long tips for better coverage.

Strut "Ω" used in high dimension shutters to ensure and reinforce their durability.

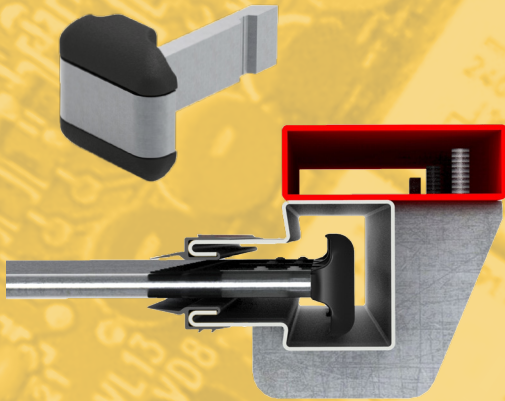


Plastic handle.



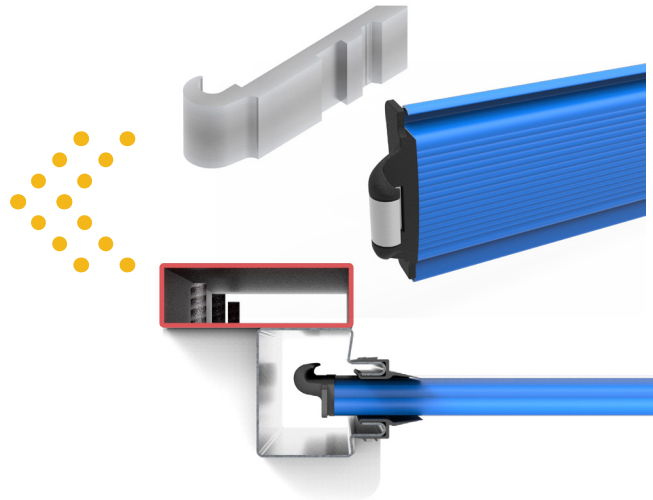
Central Lock.

Sidelong Lock.

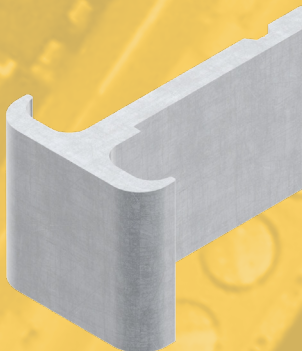


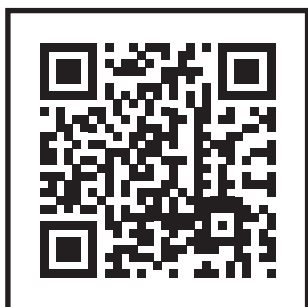
Onesided aluminum hook that can be placed on every profile of the shutter, with double function:
• Windproof Shutter
• Antiburglar Security

Aluminum hooks with double function:
• Windproof Shutter
• Antiburglar Security



Aluminum hooks placed on the bottom end profile





ROLLING SHUTTERS - GARAGE DOORS -
INDUSTRIAL DOORS - AUTOMATIONS - METAL CONSTRUCTIONS
10th km Katerini - Thessaloniki, GR 60062
Tel: +30 23510 41860 Fax: +30 23510 42252
www.biorol.gr email:info@biorol.gr

 **BIOROL** S.A.

The logo for BIOROL S.A. features a stylized graphic of three horizontal bars in red, white, and blue to the left of the company name. The name 'BIOROL' is in a bold, italicized, sans-serif font, and 'S.A.' is in a smaller, regular font to its right.